

74440

**POWER
WHEELS**
by Fisher-Price®



 **CAUTION**

ELECTRIC TOY: Not recommended for children under 3 years of age.
As with all electric products, precautions should be observed during handling and use to prevent electric shock.

Jeep® Wrangler

Owner's Manual with Assembly Instructions

Please read this manual and save it with your original sale's receipt.
For Model 74440

Tools needed for assembly: Phillips Screwdriver, Slotted Screwdriver, Hammer.
Use only with Power Wheels® Type H Batteries, Power Wheels® 30 Amp Fuses and
Power Wheels® Type H 12 Volt Charger (all included).

Throughout this manual you will find important messages in the form of WARNINGS, CAUTIONS, and NOTES.

 **WARNING**

WARNING - SIGNALS SOMETHING THAT
COULD HURT YOUR CHILD OR YOU.
The message explains the hazard and
how you can avoid it.

 **WARNING**

- Children can be harmed by small parts, sharp edges and sharp points in the vehicle's unassembled state, or by electrical items. Care should be taken in unpacking and assembly of the vehicle. Children should not handle parts, batteries or help in assembly of the vehicle.
- Keep small parts and plastic bags out of children's reach. Dispose of plastic bags properly.
- Adult supervision is required. Children do not have the judgement necessary to avoid many accidents. Be sure that children operating this vehicle can do so safely and that they are supervised at all times.
- Improper use of this vehicle could lead to a serious or fatal accident. Allow children to play with the **Jeep® Wrangler** only when you have determined that they can do so safely. Follow all instructions to help your child enjoy this vehicle as safely as possible.
- Never use in unsafe areas including but not limited to steps, steep inclines or slopes greater than 10°, roadways, bodies of water, low obstructions or in the dark.
- Always wear shoes or sneakers when operating or riding in this vehicle.
- Never allow more than two riders; one driver and one passenger.
- Riders should sit on the seat when the vehicle is in operation.
- Observe the maximum weight limit of 130 lbs.
- Never alter this vehicle or its electrical system in any way. Alterations could cause a fire resulting in injury and could also ruin the electrical system.
- Use of the wrong type battery, fuse or charger could cause a fire or explosion, resulting in serious injury.
- Never add unauthorized parts to the vehicle or use substitute parts. Use only specified Power Wheels® replacement parts.
- Batteries must be handled by adults only.
- Never lift or carry the batteries by the wires or connectors. This can damage the batteries and possibly cause a fire resulting in injury. Lift and carry the batteries by the cases only.
- Never permit a child to handle batteries. The batteries are heavy and contain sulfuric acid (electrolyte), and if dropped, could result in serious injury. Read the cautions on the back panel of the battery.
- Never allow children to charge the batteries. Battery charging must be done by adults only. A child could be injured by the electricity involved in charging batteries.
- Examine the batteries, charger and their connectors for excessive wear or damage each time you charge the batteries. If damage or excessive wear is detected, do not use the vehicle until you have replaced the worn or damaged part as it could possibly cause a fire resulting in injury.

 **CAUTION**

CAUTION - SIGNALS SOMETHING THAT
COULD DAMAGE THE VEHICLE.

The message explains the risk and
how you can avoid it.

NOTE - Is used to highlight
useful information.

**CAUTION**

- Do not operate your vehicle for the first time until you have inserted the 30 amp fuses into the batteries and charged the batteries for at least 18 hours. Never charge the batteries longer than 30 hours.
- After first-time use, recharge the batteries for at least 14 hours after each use. Never charge the batteries longer than 30 hours.
- Use the charger indoors only.
- Read and follow the Battery Care instructions on page 30. Failure to follow the Battery Care instructions may permanently damage your batteries and will void your warranty.
- When you purchase replacement batteries, you should buy a set. Using an older battery with a new battery may cause permanent damage to both batteries.
- To avoid damaging motors and gears, do not overload the vehicle.
 - Never allow more than two children in the vehicle at one time; one driver and one passenger.
 - Do not exceed the maximum weight capacity of 130 lbs.
 - Do not tow anything behind the **Jeep® Wrangler**. The extra weight may overload the vehicle.
- Avoid operating the vehicle in wet or snowy conditions, and do not spray the vehicle with a hose. Do not wash the vehicle with soap and water. Water or moisture in the motors or electrical switches can cause them to corrode, and could cause switch failure.
- Avoid operating the vehicle on sand, loose dirt or gravel. Sand, loose dirt and gravel in the electrical switches or motors can cause them to jam, and could cause switch failure. Use the **Jeep® Wrangler** on grass, asphalt or other hard surfaces.

Table of Contents

A	Message to Parents	4
B	Important Information	5
C	Parts	6
D	Parts Diagram	8
E	Parts List	9
F	First-Time Battery Charging	10
G	Assembly	12
H	Battery Installation	26
I	Charging the Batteries	28
J	Battery Handling/Care/Disposal	30
K	Rules for Safe Driving	31
L	How to Operate Your Vehicle	33
M	Questions and Answers	35
N	Problems and Solutions Guide	36
O	Statement of Limited Warranty	40
P	Authorized Service Centers	40

A

Message to Parents

Thank you for purchasing the Power Wheels® **Jeep® Wrangler!** For over 30 years, Power Wheels® has manufactured high-quality, battery-powered vehicles for children. Our goal is to provide your child with an enjoyable and safe driving experience. To help achieve this goal, it is extremely important that you read this entire manual and share the appropriate information with your child.

The **Jeep® Wrangler** requires adult assembly. Please set aside at least 45 minutes for assembly. Read the assembly instructions carefully and identify all parts before assembly. Refer to the Parts Section beginning on page 6 for parts identification. Save all packaging material until assembly is complete to ensure that no parts are discarded.

In the unlikely event that parts are missing or damaged or if you have any questions about your Power Wheels® vehicle, please call our Consumer Affairs toll-free service lines, open from 8 AM to 6 PM (EST) Monday through Friday.

Please call us at 1-800-348-0751.

Trained customer service representatives are available to take your call in English or French.

¿Habla Español? Si usted tiene alguna pregunta ó necesita asistencia llame gratis 1-800-348-0755 para los Estados Unidos. Tenemos representantes que hablan español para atender su llamada. Este manual también disponible en Español.

We also have a nationwide Authorized Service Center network – with over 300 Authorized Service Centers. Our Authorized Service Centers will repair or replace parts under warranty at no charge. For vehicles beyond warranty, our Authorized Service Centers will perform repairs for a minimal charge. For the Authorized Service Center nearest you, please see the Authorized Service Center listing beginning on page 40.

- Carefully read this manual for important safety information and operating instructions before using your vehicle.
- Please complete and return the enclosed Vehicle Registration card, or call 1-800-348-0751 to register your vehicle by phone.
- The **Jeep® Wrangler** is designed for use by children 3-7 years.
- Adult assembly is required.
- This vehicle uses two Power Wheels® Type H batteries with Power Wheels® 30 amp fuses and a Power Wheels® Type H 12 volt charger (120 VAC 60 HZ 28W with an output of 12 VDC 1200 mA). **Do not** substitute any other batteries, fuses or charger.
- **Before first-time use, charge the batteries for at least 18 hours. Never charge the batteries longer than 30 hours.**
- After the first charge, charge the batteries a minimum of 14 hours after each use. Never charge the batteries longer than 30 hours.
- Do not run down the batteries completely before charging.
- Leaving the batteries in a discharged condition will ruin them.
- Charge the batteries before storing your vehicle.
- Charge the batteries at least once per month, even if the vehicle has not been used.
- Do not store the batteries in temperatures above 75° F or below -10° F.
- Even with proper care, the batteries will not last forever. The life of the batteries depends on how well you follow the Battery Care instructions and the total number of hours the batteries are used. Please refer to the Battery Handling/Care/Disposal instructions on page 30 for detailed information about battery care.
- When you purchase replacement Power Wheels® Type H batteries, you should buy them as a set. Using an older battery with a new battery may result in poor performance and may cause permanent damage to both batteries. Remember to charge new batteries for at least 18 hours before first use.
- To purchase Power Wheels® Type H batteries, Power Wheels® 30 amp fuses or a Power Wheels® Type H 12 volt charger, please contact:
 - the store where your vehicle was purchased.
 - an Authorized Service Center (see Authorized Service Center list beginning on page 40).
 - Power Wheels® Consumer Affairs at 1-800-348-0751.
- While the batteries are charging, the charger may become warm to the touch. This is a normal condition and does not indicate a problem.
- The **Jeep® Wrangler** is suitable for use on grass, asphalt or other hard surfaces. To prevent damage to the motors and switches, do not operate the vehicle on loose dirt, gravel or sand.
- To prevent damage to electrical components, store the **Jeep® Wrangler** inside or under a protective cover during snowy or rainy weather. Do not leave the **Jeep® Wrangler** out in the rain or let your child wash it with soap and water.
- The **Jeep® Wrangler** has a special circuit-breaker in the wiring to protect the motors and electrical system. If the vehicle is put under extreme load (driving on rough surfaces, too much weight, climbing too steep of an incline), the circuit-breaker will shut the electrical system down for up to 20 seconds. If the system repeatedly shuts down, the driving conditions may be too demanding (ie: too steep or too much weight).
- Metal parts have been coated with a lubricant to protect them during shipment. Wipe all metal parts with a paper towel to remove any excess lubricant.

If you experience a problem with this product, or are missing a part, please call us at 1-800-348-0751, rather than returning this product to the store.

Please save all packaging material until assembly is complete to ensure that no parts are discarded.



Dashboard Plate



Sport Bar Brackets - 2



Small Parts Bag



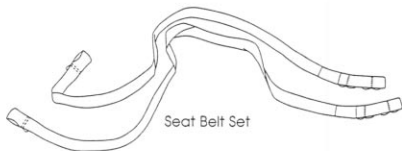
Steering Wheel Cap



Sport Bar Swivels - 2



12 Volt Charger



Seat Belt Set



Sport Bar Support - 2



Microphone



Gas Cap Assembly



Light Housing - 2



Light Plate - 2



Taillight Lens - 2



Battery Retainer



Light Lens - 4



Lens Guard - 4



Taillight Housing - 2



Turn Signal Lens - 2

Not Shown:
Literature Bag

LARGE PARTS BAG

Parts



Hood Latch - 2



Dashboard Knob - 2



#8 x 1" Screw - 16



#10 x 1" Screw - 4



Knob Plate



Key Assembly



#8 x 3/4" Screw - 8



#6 x 1/2" Screw - 2



30 Amp Fuse - 3*



.354 Cap Nut - 3*

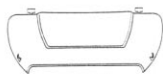


#6 x 1 1/2" Screw - 2

*For your convenience, an extra 30 amp fuse and .354 cap nut has been included.

SMALL PARTS BAG

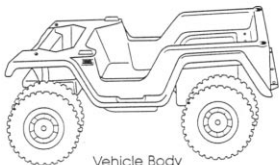
All Screws Shown
Actual Size



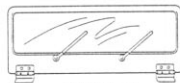
Hood



Seat



Vehicle Body



Windshield



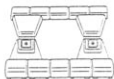
Steering Column



Rear Bumper



Dash



Light Rack



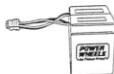
Sport Bar



Front Bumper



Steering Wheel

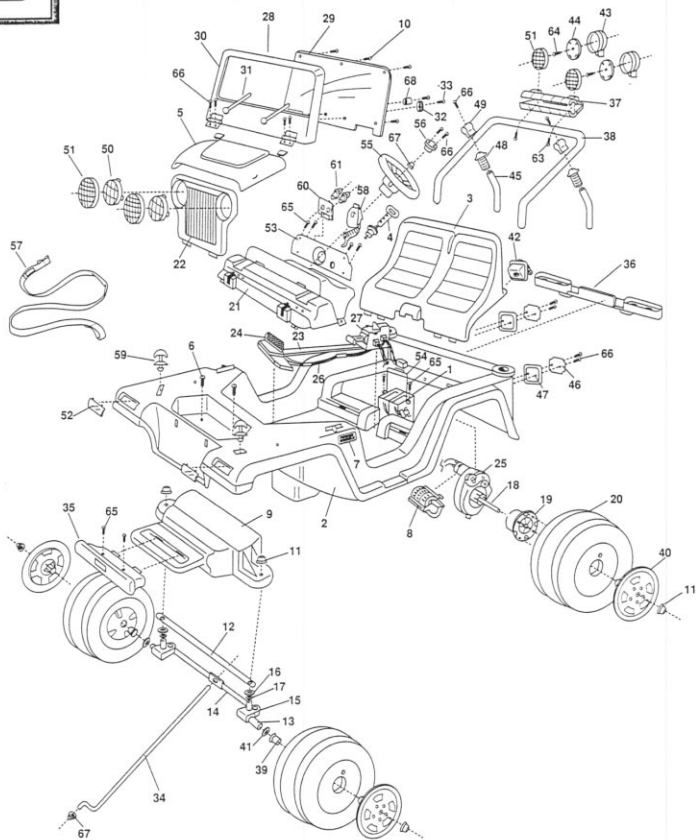


Battery - 2

Not Shown: Label Sheets

ADDITIONAL ITEMS

Parts Diagram



Jeep® Wrangler

FOR MODEL 74440
12 VOLT

Parts List

Note: The parts listed below are not all consumer assembled. Consumer assembled parts are shown on pages 6 and 7 and are highlighted in bold type below.

Item No.	Description	Part No.	Qty.	Item No.	Description	Part No.	Qty.
1	Battery	0801-0051	2	64	#6 x 1/2" Screw	0801-0222	2
2	Body	74440-2190	1	65	#8 x 1/2" Screw	0801-0223	8
3	Seat	74440-2309	1	66	#8 x 1" Screw	0801-0224	16
4	Key/Housing Assembly	74550-2439	1	67	Retainer .354 Black	0801-0215	3
5	Hood	74440-2359	1	68	Cap	73233-2619	1
6	3/8" x 3/16" Hex Bolt	0801-0192	2				
7	PW Emblem	74540-2069	2				
8	Motor Cover	76803-2489	1				
9	Front Module	74440-2119	1				
10	Screw (Frame)	0801-0202	5				
11	Retainer .437 Blk.	0801-0214	4				
12	Cross Bar	74440-4419	1				
13	Front Axle	74440-4509	2				
14	Steering Rod	74440-4429	1				
15	Lever Set	74440-2149	1				
16	Rivet	0801-0194	2				
17	#10 Washer	0801-0195	2				
18	Rear Axle	74440-4519	1				
19	Wheel Driver	74440-2229	2				
20	Wheel	74440-2459	4				
21	Dash	74440-2689	1				
22	Grille	74440-2849	1				
23	Channel Cover	74440-2289	1				
24	Footboard Assembly	74440-9829	1				
25	#7 Gearbox w/Motor	74440-9519	1				
26	Harness Assembly	74440-9799	1				
27	Shifter Assembly	74440-9139	1				
28	Windshield Assembly	74440-9769	1				
29	Windshield	73233-2639	1				
30	Windshield Frame	76169-2769	1				
31	Wiper	73248-2769	2				
32	Knobs	73233-2449	1				
33	Screw (Actuator)	0801-0216	2				
34	Steering Column	74440-4239	1				
35	Front Bumper	73233-2519	1				
36	Rear Bumper	73233-2529	1				
37	Light Rack	74440-2059	1				
38	Sport Bar	74440-4219	1				
39	Axle Bushing	74550-2689	2				
40	Hubcap	76169-2579	4				
41	1/2" Washer	0801-0196	2				
42	Gas Cap/Flange Assembly	74440-9089	1				
43	Light Housing	74440-2239	2				
44	Light Cover	74440-2219	2				
45	Sport Bar Support	74440-4229	2				
46	Taillight Lens Set	73233-2279	1				
47	Taillight Housing Set	73233-2759	1				
48	Sport Bar Bracket Swivel	74440-2079	2				
49	Sport Bar Bracket	74440-2179	2				
50	Headlight Lens	74440-2279	4				
51	Headlight Lens Guard Set	74440-2339	2				
52	Turn Signal Lens Set	74440-2349	1				
53	Dash Bezel	74440-2699	1				
54	Battery Retainer	74440-4019	1				
55	Steering Wheel	74440-2369	1				
56	Steering Wheel Button	74550-2729	1				
57	Seatbelt Set	74440-2069	2				
58	CB Mic w/Cord	73233-2479	1				
59	Hood Latch	74440-9559	2				
60	Knob Bezel	74440-2719	1				
61	Dash Knob	74550-2719	2				
62	#10 x 1" Screw	0801-0220	4				
63	#6 x 1/2" Screw	0801-0221	2				

Parts Not Shown

Decal High Speed	0803-00092	1
Decal 30 Amp	0803-00062	1
Decal Date/Model	0803-00072	1
Decal Warning 2 Rider	0803-00082	1
Decal Window	0803-0010	1
Decal Main Sheet	0803-0011	1
Literature Bag	74440-9019	1
#8 x 3/4" Phillips Head	0405-2073	5
Large Parts Bag	74440-9099	1
12v Charger	0801-0225	1
Small Parts Bag	74440-9199	1
Owner's Manual/		
Assembly Manual	74440-0320	1
Insert 'Do Not Use'	0803-0002	1
Insert 'Do Not Return'	0803-0003	1
Warranty Card (US)	0803-0001	1
Twist-Lock Fastener	0801-0197	2
Lock Fastener	78570-2239	1
Nylon Screw	0801-0198	2
Pinion Gear	74440-4439	1
Motor Ring	74560-2149	1
Motor	74440-0640	1
#7 Gearbox w/o Motor (Blk)	74440-9529	1
#7 Gearbox Case 124:1	74440-2529	1
#7 Gearbox Cover 124:1	74440-2539	1
Output Gear Gearbox #7	74540-2179	1
Gearbox #7	74540-2159	1
Gearbox #7 2nd Gear	74540-2159	1
Gearbox #7 3rd Gear	74540-2169	1
#6 Screw	0801-0199	4
Footboard	74440-2299	1
Pedal (Silver Eaton)	73233-2389	1
Eaton Switch	0801-0147	1
#8 x 1/2" Screw, Flathead	0801-0200	1
Shifter Case	74440-2139	1
Shifter Cover	74440-2129	1
Shifter Handle	74440-2099	1
Switch	80014-0030	2
#8 Screw	80405-2073	2
Actuator Arm	73233-2669	1
Fuse 30 Amp	80014-0071	3
1/2" Hex Nylon Nut	0801-0193	2

First-Time Battery Charging

We recommend that you begin charging your batteries before beginning assembly of your vehicle. **Your new batteries must be charged for at least 18 hours before you use your vehicle for the first time.**



WARNING

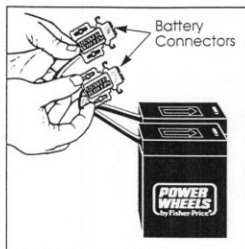
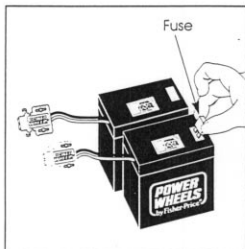
- Batteries must be handled by adults only.
- Never allow children to charge the batteries. Battery charging must be done by adults only. A child could be injured by the electricity involved in charging batteries.
- Use of the wrong type battery, fuse or charger could cause a fire or explosion, resulting in serious injury.
- Children can be harmed by small parts, sharp edges and sharp points in the vehicle's unassembled state, or by electrical items. Care should be taken in unpacking and assembly of the vehicle. Children should not handle parts, batteries, or help in assembly.
- Never permit a child to handle batteries. The batteries are heavy and contain sulfuric acid (electrolyte), and if dropped, could result in a serious injury. Read the cautions on the back panel of the battery.
- Never lift or carry the batteries by the wires or connectors. This can damage the batteries and possibly cause a fire. Lift and carry the batteries by the cases only.
- Examine the batteries, charger and their connectors for excessive wear or damage each time you charge the batteries. If damage or excessive wear is detected, do not use the charger or the vehicle until you have replaced the worn or damaged part.
- Never alter this vehicle or its electrical system in any way. Alterations could cause a fire resulting in injury and could also ruin the electrical system.
- Never add unauthorized parts to the vehicle or use substitute parts. Use only specified Power Wheels® replacement parts.



CAUTION

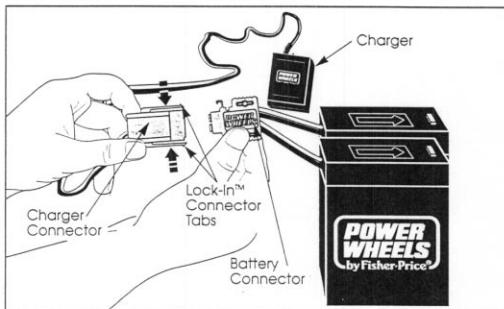
- Do not operate the vehicle for the first time until you have inserted 30 amp fuses into the batteries and charged them for at least 18 hours. Never charge the batteries longer than 30 hours.
- Carefully read the Battery Care instructions to obtain the best battery life. Failure to follow the Battery Care instructions may permanently damage your batteries and may void your warranty.
- Use the charger indoors only.

First-Time Battery Charging



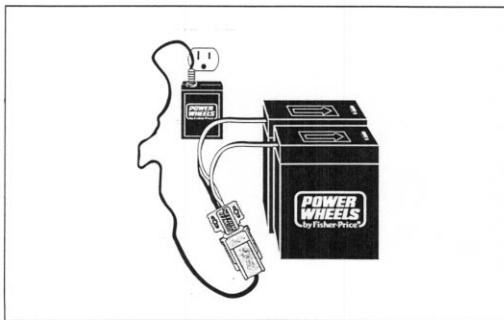
1

- Insert a 30 amp fuse into each battery.
- Stack one battery connector on top of the other and snap them together.



2

- Squeeze the Lock-In™ connector tabs on the charger connector and plug it into the battery connector.



3

- Plug the charger into a standard 120 volt wall outlet.

Note: If power flow to the wall outlet is controlled by a switch, make sure the switch is "ON".

- Before first time use, charge the batteries for **at least 18 hours**. Never charge the batteries longer than 30 hours.

Note: The batteries must be upright while charging.

G

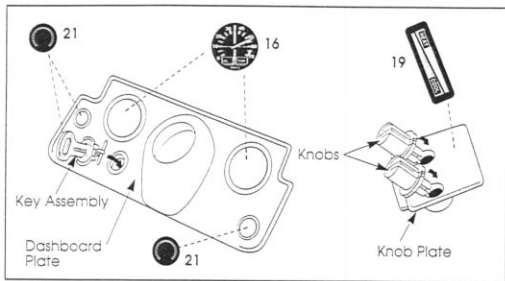
Assembly

Do Not Omit Any Steps. Please set aside at least 45 minutes for assembly.



WARNING

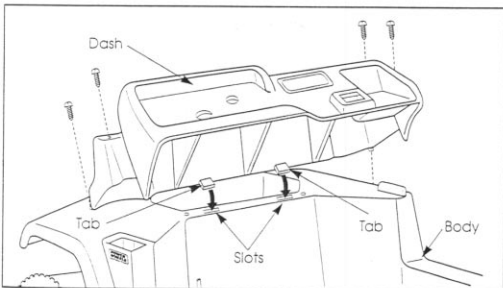
- Children can be harmed by small parts, sharp edges and sharp points in the vehicle's unassembled state, or by electrical items. Care should be taken in unpacking and assembly of the vehicle. Children should not handle parts, batteries, or help in assembly.
- Keep small parts and plastic bags out of children's reach. Dispose of plastic bags properly.



1

- Apply labels to the dashboard plate and knob plate as shown. Make sure the areas where the labels will be applied are clean and dry. For best adhesion, avoid applying labels more than once.
- Snap the key assembly into the dashboard plate.
- Snap the knobs into the knob plate.

Note: Gently squeeze the tabs on the knobs together before inserting the knobs into the knob plate.



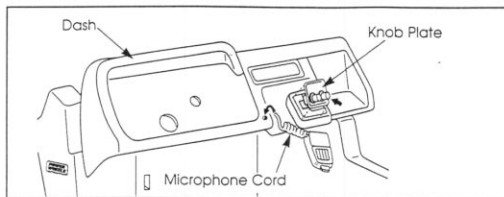
2



#10 x 1" Screw - 4
Shown Actual Size

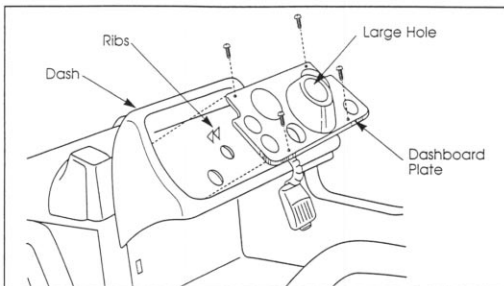
- Fit the tabs on the dash into the slots in the front of the vehicle body.
- Insert four #10 x 1" screws as shown.
- Tighten each screw with a Phillips screwdriver. Do not over-tighten.

Assembly



3

- Insert the microphone cord through the hole in the dash.
- Position the bottom edge of the knob plate in the opening in the dash.
- Snap the top of the knob plate into the dash.

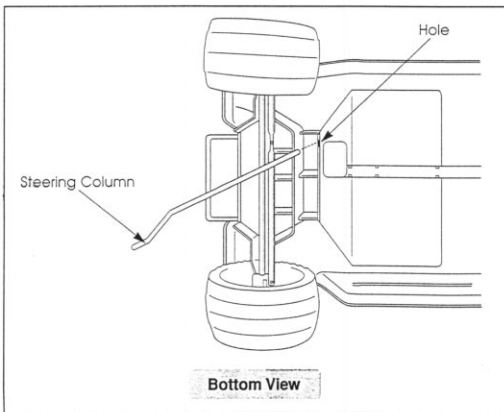


4



#8 x 1/4" Screw - 4
Shown Actual Size

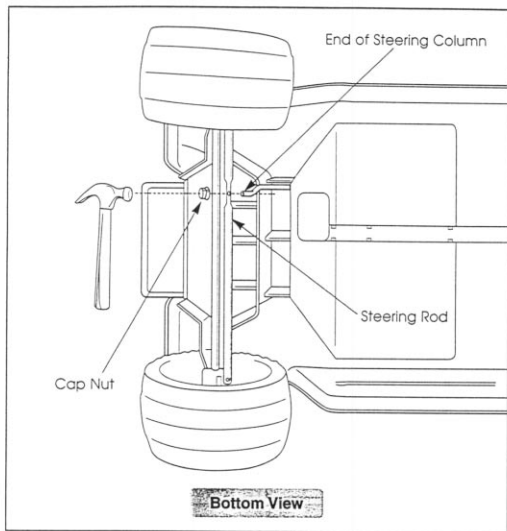
- Fit the dashboard plate on the dash. The large hole in the dashboard plate hangs on the ribs on the dash.
- Insert four #8 x 1/4" screws as shown.
- Tighten each screw with a Phillips screwdriver. Do not over-tighten.



5

- Wipe the steering column with a paper towel to remove any excess lubricant.
- Turn the vehicle on its side.
- Insert the straight end of the steering column up through the hole in the vehicle body wall and out through the hole in the dashboard plate.

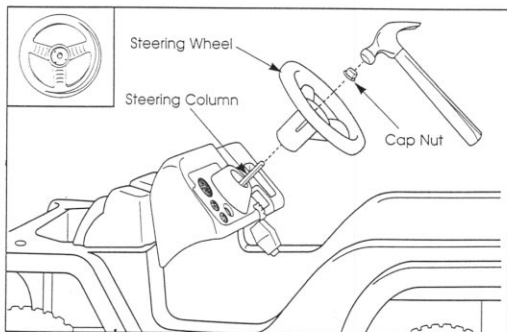
Assembly



6

- Insert the end of the steering column into the hole in the steering rod.
- Fit a cap nut onto the end of the steering column.
- While supporting the steering column, tap the cap nut with a hammer to secure it on the steering column.

Helpful Hint! You may want the help of another person to support the steering column while you tap the cap nut with the hammer.

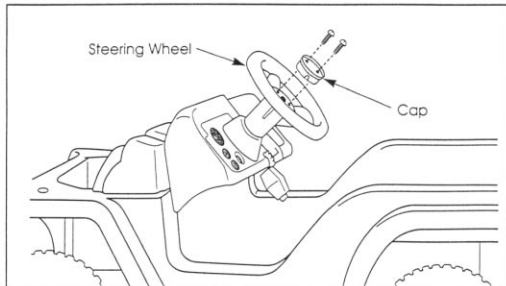


7

- Turn the vehicle upright.
- Position the steering wheel so that the spokes form a "V" as shown.
- Fit the steering wheel onto the steering column.
- Fit a cap nut onto the end of the steering column.
- Tap the cap nut with a hammer to secure it on the steering column.

Helpful Hint! You may want the help of another person to support the steering column while you tap the cap nut with the hammer.

Assembly

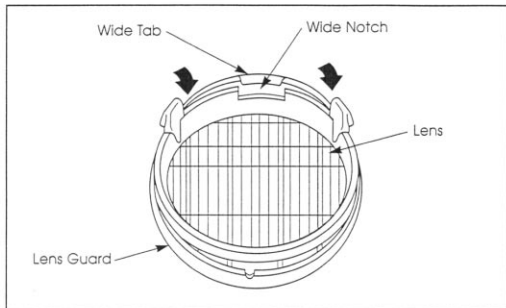


8



#8 x 1" Screw - 2
Shown Actual Size

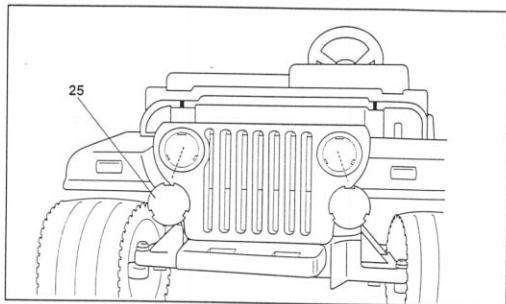
- Fit the steering wheel cap into the center of the steering wheel with the screw holes aligned.
- Insert two #8 x 1" screws as shown.
- Tighten the screws with a Phillips screwdriver. Do not over-tighten.



9

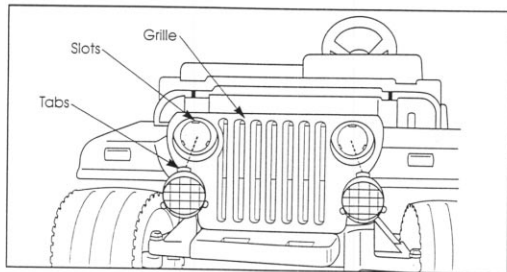
- Fit the wide notch in the side of a lens under the wide tab on a lens guard.
- Press firmly on the inside of the lens to snap it into the lens guard.
- Repeat this procedure to assemble the other three lenses to lens guards.
- Set two of the lens assemblies aside. You will use them on the sport bar light rack later in the assembly process.

Assembly



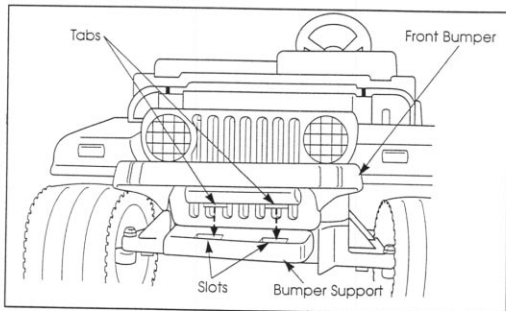
10

- Face the front of the vehicle.
- Apply labels to the vehicle body grille as shown. Make sure the areas where the labels will be applied are clean and dry. For best adhesion, avoid applying the labels more than once.



11

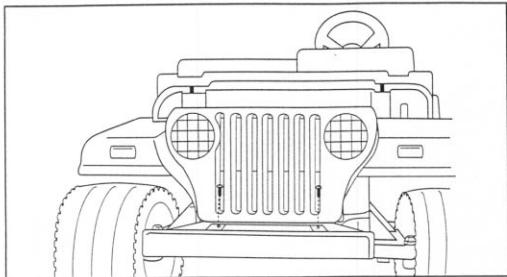
- Fit the lens tabs on the back of a lens assembly into the headlight slots on the grille.
- Press firmly to snap the lens assembly into the grille.
- Repeat this procedure to snap another lens assembly into the grille.



12

- With the front bumper angled as shown, insert the tabs on the front bumper into the slots in the bumper support.
- Push down on the bumper so it lays flat on the bumper support.

Assembly

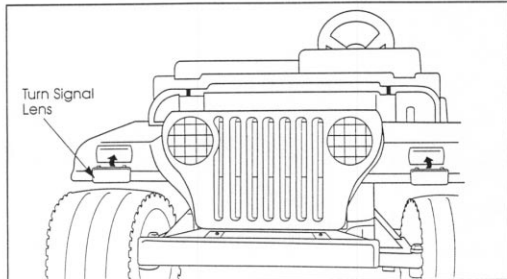


13



#8 x $\frac{3}{4}$ " Screw - 2
Shown Actual Size

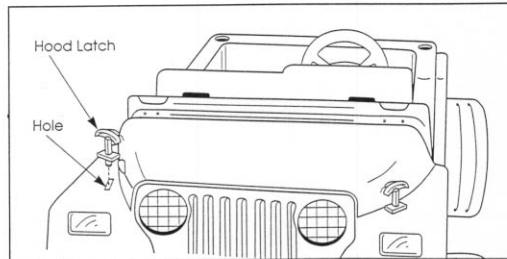
- Insert two #8 x $\frac{3}{4}$ " screws into the front bumper as shown.
- Tighten the screws with a Phillips screwdriver. Do not over-tighten.



Turn Signal Lens

14

- Insert the tabs on the top of a turn signal lens into the slots in the front of the vehicle body.
- Push firmly on the bottom of the turn signal lens to snap the bottom tabs into the vehicle body.
- Repeat this procedure to attach the other turn signal lens to the vehicle body.



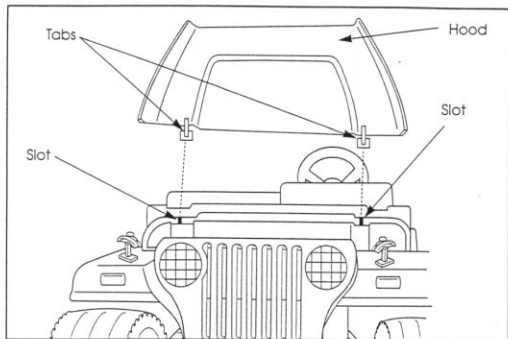
Hood Latch

Hole

15

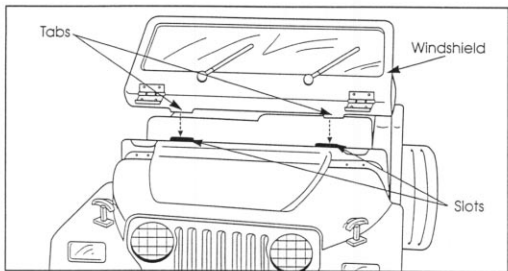
- Insert a hood latch into one of the holes in the vehicle body, near the hood area.
- Twist the base of the hood latch $\frac{1}{4}$ turn to secure it in the vehicle body.
- Repeat this procedure on the other side of the hood area to attach the other hood latch to the vehicle body.

Assembly



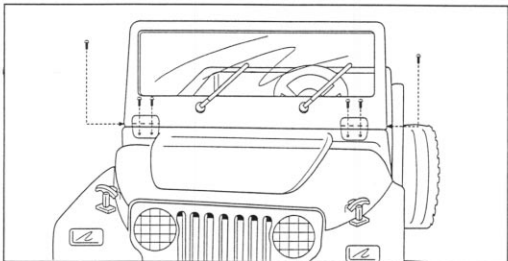
16

- Position the hood over the front of the vehicle body as shown.
- Insert the tabs on the hood into the slots in the vehicle body.
- Close the hood.



17

- Insert the tabs on the windshield into the slots in the vehicle body.



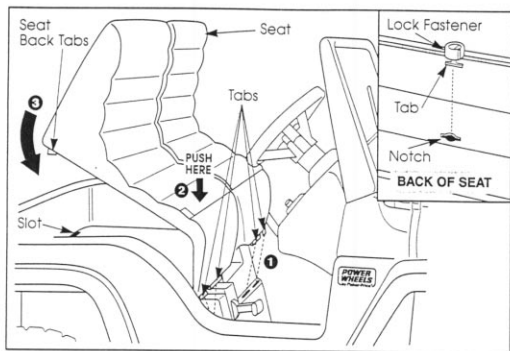
18



#8 x 1" Screw - 6
Shown Actual Size

- Rotate the windshield forward so that the base of the windshield lies flat against the vehicle body.
- Insert six #8 x 1" screws into the windshield as shown.
- Tighten the screws with a Phillips screwdriver. Do not over-tighten.

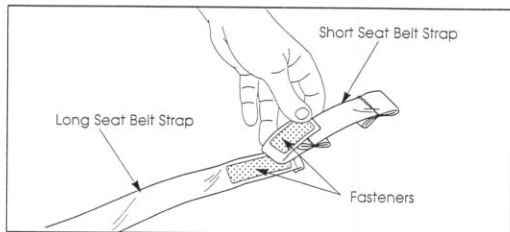
Assembly



19

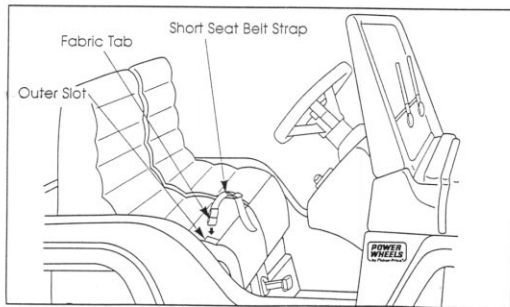
- With the seat at an angle, insert the tabs on the front edge of the seat into the slots in the foot-well wall **1**.
- Push down firmly on the edge of the seat above each tab to snap the tabs into the slots **2**.
- Rotate the back of the seat down **3** to snap the seat back tabs into the slots in the vehicle body. Push down firmly on the seat back.

Important Note: Make sure that the tab on the lock fastener is aligned with the notch in the back of the seat.



20

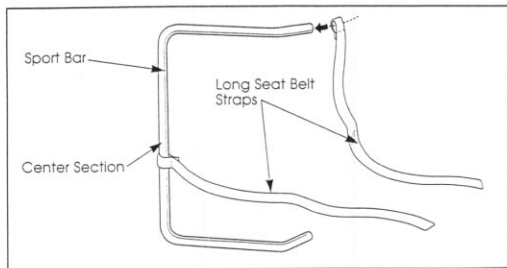
- Unfasten the fastener on each seat belt so that each seat belt separates into two pieces.
- Set the two long seat belt straps aside.



21

- With the fastener facing towards the outside of the vehicle, insert the fabric tab at the end of a short seat belt strap through the slot in the side of the seat.
- Pull up on the seat belt strap to make sure it is secured in the slot.
- Repeat this procedure to insert the other short seat belt strap through the slot in the other side of the seat.

Assembly

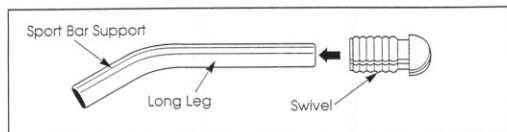


22

- Position the sport bar on its side, with the ends curving away from you. Slide the loop on the end of a long seat belt strap onto the center section of the sport bar.

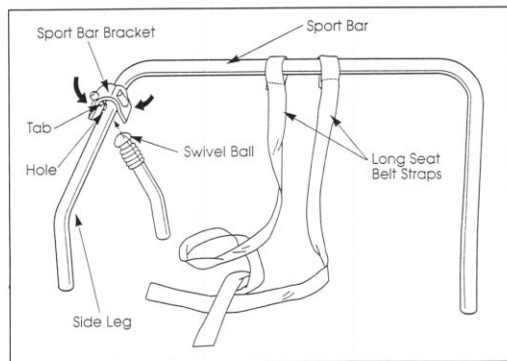
Note: Make sure that the side of the seat belt strap with the fastener is facing away from you and that the seat belt strap is not twisted.

- Repeat this procedure to slide the other long seat belt strap onto the center section of the sport bar.



23

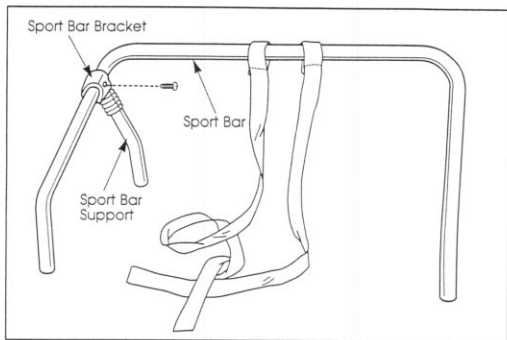
- Fit a swivel onto the long leg of a sport bar support.



24

- Position the sport bar upright. Make sure the long seat belt straps are looped around the center section of the sport bar.
- Position a sport bar bracket above one of the sport bar side legs, as shown.
- Insert the tab on the inside of a sport bar bracket into the hole in the sport bar side leg.
- Fit the ball on the end of a swivel against the end of the sport bar bracket.
- Fold the sport bar bracket over the sport bar to close it around the sport bar and swivel ball.

Assembly

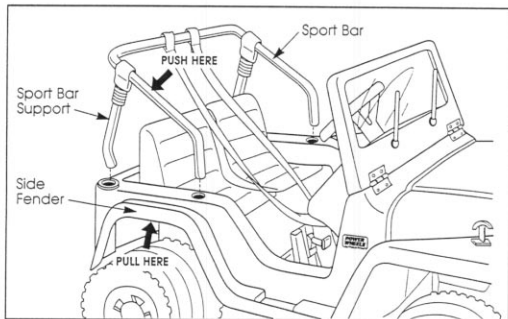


25



#8 x 1" Screw - 2
Shown Actual Size

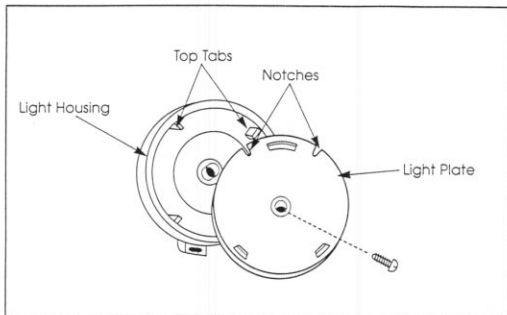
- Insert a #8 x 1" screw into the sport bar bracket as shown.
- Tighten the screw with a Phillips screwdriver. Do not over-tighten.
- Repeat steps 23 - 25 to attach the other sport bar support to the other sport bar side leg.



26

- Place the sport bar and sport bar support legs into the holes in the vehicle body.
- Push down firmly on a sport bar side leg while pulling up on the side fender to fit the sport bar into the vehicle body.
- Repeat this procedure on the other side of the sport bar.

Assembly

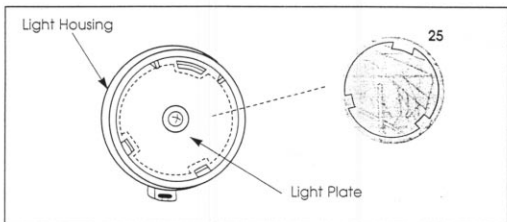


27



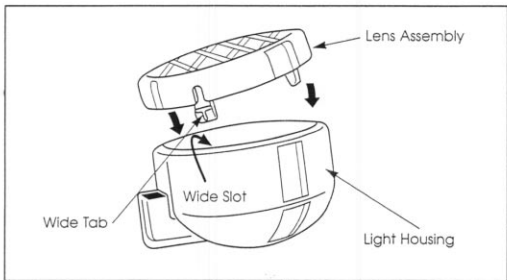
#6 x 1/2" Screw - 1
Shown Actual Size

- With the light plate at an angle, fit its notches around the top tabs on the inside of a light housing.
- Lower the light plate into the housing so that it lays flat.
- Insert a #6 x 1/2" screw into the light plate as shown.
- Tighten the screw with a Phillips screwdriver. Do not over-tighten.
- Repeat this procedure to assemble the other light housing.



28

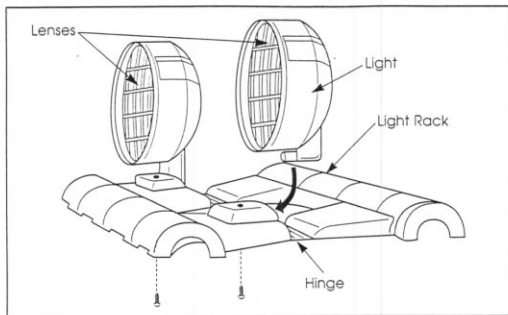
- Apply labels to the center of each of the light plates as shown.
- Align the cut-outs in the labels with the slots in the light plates, so that the labels do not cover the slots.
- Make sure the areas where the labels will be applied are clean and dry. For best adhesion, avoid applying the labels more than once.



29

- Insert the wide tab on a lens assembly (assembled in step 8) into the wide slot in the light housing.
- Press firmly to snap the lens assembly into the light housing.
- Repeat this procedure to assemble the other sport bar light.

Assembly

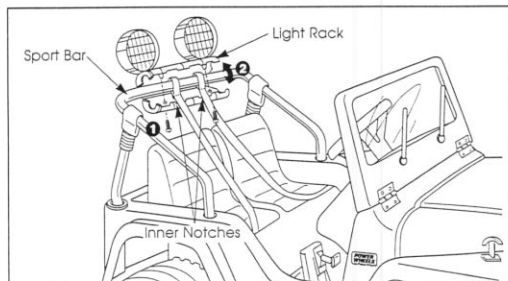


30



#8 x 1" Screw - 2
Shown Actual Size

- Slide the lights onto the light rack with the lenses facing away from the hinge.
- Insert two #8 x 1" screws up through the light rack and into the light housing as shown.
- Tighten the screws with a Phillips screwdriver. Do not over-tighten.



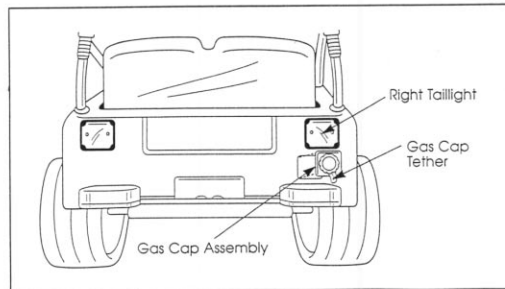
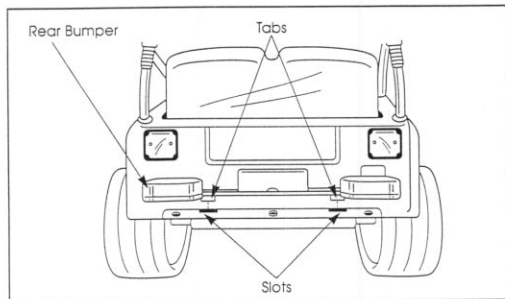
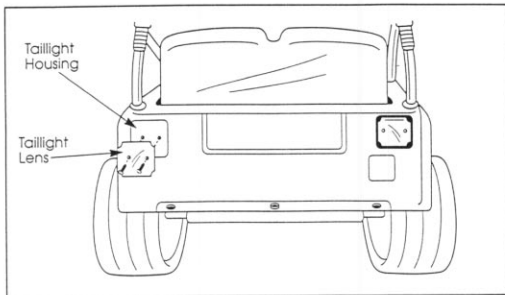
31



#6 x 1 1/2" Screw - 2
Shown Actual Size

- Fit the bottom half of the light rack onto the bottom of the sport bar.
- Insert two #6 x 1 1/2" screws up through the light rack and into the sport bar as shown ❶.
- Close the light rack around the sport bar ❷, making sure that the seat belt straps exit through the inner notches in the light rack.
- Tighten the screws with a Phillips screwdriver. Do not over-tighten.

Assembly



32



#8 x 1" Screw - 2
Shown Actual Size

- Face the rear of the vehicle.
- Fit a taillight lens inside a taillight housing.
- Position the taillight housing with lens against the vehicle body with the screw holes aligned, as shown.
- Insert two #8 x 1" screws through the taillight lens and housing and into the vehicle body as shown.
- Tighten the screws with a Phillips screwdriver. Do not over-tighten.
- Repeat this procedure to attach the other taillight.

33

- Fit the tabs on the rear bumper into the slots in the vehicle body.
- Push down on the rear bumper to fit the holes in the bumper around the pegs on the vehicle body.

34

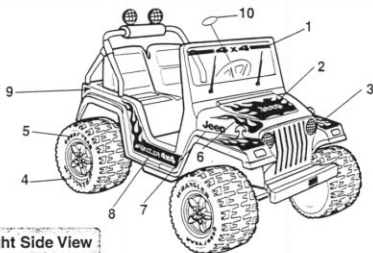
- Position the gas cap assembly so that its tether points down.
- Snap the gas cap assembly into the opening under the right taillight.

Assembly

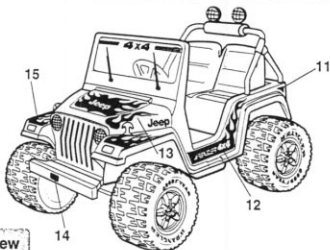
35

Proper label application will help to keep the labels locking their best!

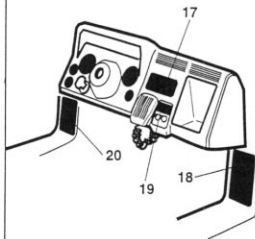
- Wash your hands before applying the labels.
- Make sure the areas where the labels will be applied are clean and dry. Wipe your vehicle with a clean, soft, dry cloth to remove any dust or oils.
- For best results, avoid applying a label more than once.
- Apply the labels as shown in the illustrations.
- After applying a label, rub the label firmly with a cloth to make sure the label is adhered to your vehicle.



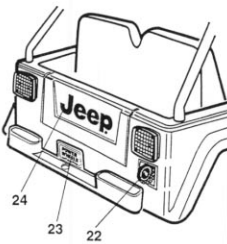
Right Side View



Left Side View



Dash View



Back View

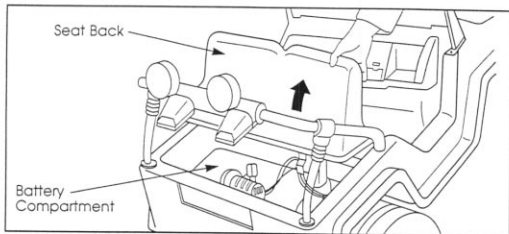
One-time assembly is now complete.

IMPORTANT NOTES:

- Please carefully read the owner's information in this manual and teach your child about proper vehicle operation and rules for safe driving before allowing him to drive this vehicle.
- For safety reasons, your vehicle has been pre-assembled so that it will only operate at low speed. Make sure that your child can safely operate this vehicle at low speed before adjusting the vehicle to run at high speed. To disconnect high speed lock-out, please see page 33.

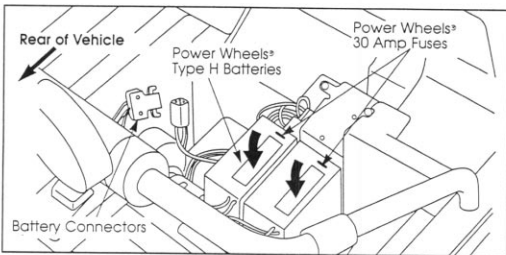
Battery Installation

Important Note: Use only Power Wheels® Type H batteries with Power Wheels® 30 amp fuses installed. Use of any other batteries or fuses will damage your vehicle. Make sure that you charge the batteries for at least 18 hours before operating your vehicle for the first time. After first time use, charge the batteries for at least 14 hours after each use. Never charge the batteries longer than 30 hours. Failure to follow these instructions may damage your batteries and will void your warranty.



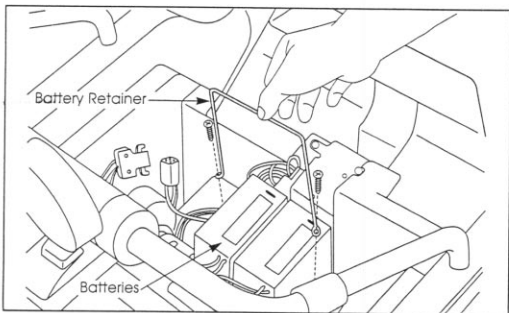
1

- Lift the seat back to access the battery compartment.



2

- Place both Power Wheels® Type H batteries upright in the battery compartment directly on top of the molded-in battery information. **Make sure the battery connectors extend towards the rear of the vehicle.**
- Make sure a Power Wheels® 30 amp fuse in good condition is installed in each of the batteries and that the battery connectors are snapped together.



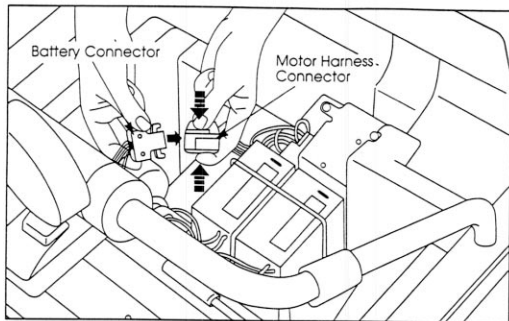
3



#8 x 3/4" Screw - 2
Shown Actual Size

- Position the battery retainer over the batteries with the ends of the battery retainer aligned with the screw holes in the bottom of the battery compartment.
- Insert two #8 x 3/4" screws through the battery retainer and into the battery compartment.
- Tighten the screws with a Phillips screwdriver. Do not over-tighten.

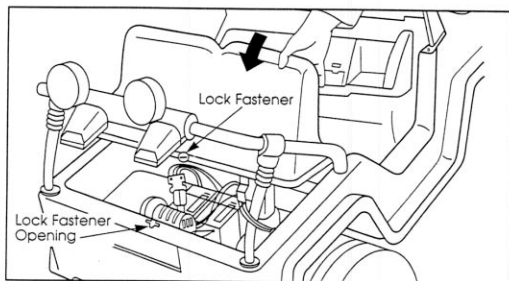
Battery Installation



4

- Squeeze the tabs on each side of the motor harness connector.
- Plug the battery connector into the motor harness connector.

Note: If the battery connector will not plug into the motor harness connector, turn it over and try again! Do not force the battery connector into the motor harness connector.

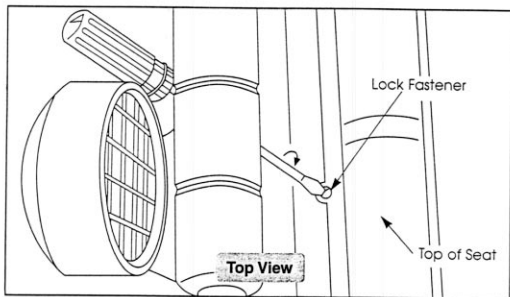


5

- Lower the seat back. Make sure the tabs on the front of the seat are inserted into the slots in the vehicle body.

Note: Make sure that the tabs on the lock fastener are aligned with the notches in the lock fastener opening.

- Push down firmly on the seat back to snap the seat into the vehicle body.



6

- Rotate the lock fastener $\frac{1}{4}$ turn using a slotted screwdriver to lock the battery compartment.
- Lift the seat back to make sure the lock fastener is in the locked position. Keep the lock fastener in the locked position at all times to prevent children from accessing the batteries.

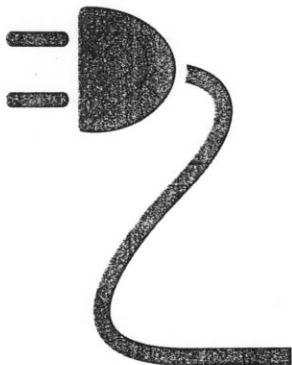
Charging the Batteries

WARNING

- Batteries must be handled by adults only.
- Never allow children to charge the batteries. Battery charging must be done by adults only. A child could be injured by the electricity involved in charging batteries.
- Use of the wrong type of battery, fuse or charger could cause a fire or explosion, resulting in serious injury.
- Never permit a child to handle batteries. The batteries are heavy and contain sulfuric acid (electrolyte), and if dropped could result in serious injury. Read the cautions on the back panel of the battery.
- Never lift or carry the batteries by the wires or connectors. This can damage the batteries and possibly cause a fire. Lift and carry the batteries by the cases only.
- Examine the batteries, charger and their connectors for excessive wear or damage each time you charge the batteries. If damage or excessive wear is detected, do not use the vehicle until you have replaced the worn or damaged parts, as it could possibly cause a fire resulting in injury.
- Never alter this vehicle or its electrical system in any way. Alterations could cause a fire resulting in injury and could also ruin the electrical system.
- Never add unauthorized parts to the vehicle or use substitute parts. Use only specified Power Wheels® replacement parts.

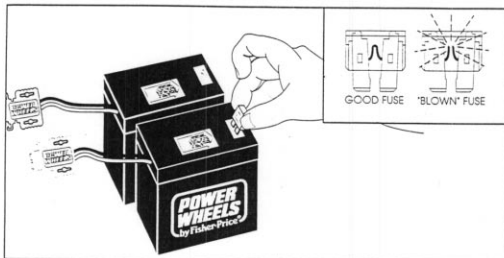
CAUTION

- Carefully read the Battery Care instructions to obtain the best battery life. Failure to follow the Battery Care instructions may permanently damage your batteries and will void your warranty.
- Use the charger indoors only.



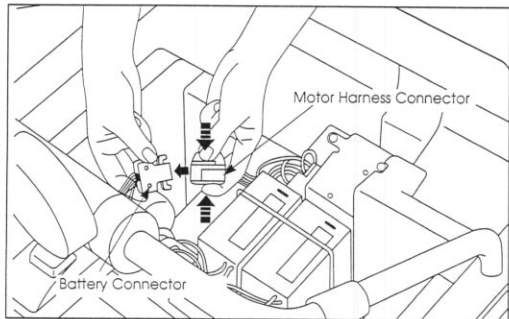
Charging the Batteries

Important Note: Batteries must be upright while charging. You do not have to remove the batteries from the vehicle to charge them.



1

- Rotate the lock fastener on the seat back $\frac{1}{4}$ turn using a slotted screwdriver to unlock the battery compartment.
- Lift the seat to access the batteries.
- Use pliers to remove the fuses from the batteries.
- Visually examine each fuse to make sure it is not blown. If a fuse has blown, replace it with a new Power Wheels® 30 amp fuse.
- Reinsert the fuses into the batteries before charging. The batteries will not charge if a 30 amp fuse in good condition is not inserted into each battery.



2

- Squeeze the tabs on the motor harness connector to unplug it from the battery connector.

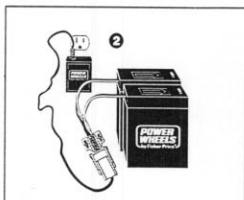
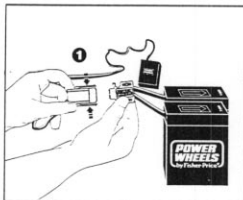
3

- Squeeze the tabs on the charger connector to plug it into the battery connector **1**.
- Plug the charger into a standard 120 volt wall outlet **2**.

Note: If power to the outlet is controlled by a wall switch, make sure the switch is "ON".

- Charge the batteries a minimum of 14 hours. Never charge the batteries longer than 30 hours. Overcharging or undercharging the batteries may shorten battery life and decrease vehicle running time.
- Once the batteries are charged, reconnect the battery connector and motor harness connector and lower the seat back.

Note: Remember to lock the lock fastener to prevent children from accessing the batteries.



J

Battery Handling/Care/Disposal



WARNING

- Batteries must be handled by adults only.
- Never permit a child to handle batteries. The batteries are heavy and contain sulfuric acid (electrolyte), and if dropped, could result in a serious injury. Read the cautions on the back panel of the battery.
- Never lift or carry the batteries by the wires or connectors. This can damage the batteries and possibly cause a fire. Lift and carry the batteries by the case only.



CAUTION

- Carefully read the Battery Care instructions to obtain the best battery life. Failure to follow the Battery Care instructions may damage your batteries and will void your warranty.

Handling

If a battery leak develops:

- Avoid contact with the leaking acid.
- Place the damaged battery in a plastic bag. See information below for proper disposal.

If acid comes in contact with skin or eyes:

- Flush with cool water for at least 15 minutes.
- Call a physician.

If acid is internally ingested:

- Give water, milk of magnesia or egg whites immediately.
- Never give emetics or induce vomiting.
- Call a physician.

Disposal

- These sealed lead-acid batteries must be collected, recycled or disposed of in an environmentally sound manner.
- Do not dispose of lead-acid batteries in your regular, household trash. The incineration, landfilling or mixing of sealed lead-acid batteries with household trash is prohibited by law in most areas.
- Return the batteries to a federal or state approved lead-acid battery recycler, such as a Power Wheels® Authorized Service Center or a local seller of automotive batteries. In Minnesota, call 1-800-348-0751 if further disposal information is required. Contact your local waste management officials for other information regarding the environmentally sound collection, recycling and disposal of lead-acid batteries.

Care

- Charge new batteries for at least 18 hours before first use. Never charge the batteries longer than 30 hours. Overcharging or undercharging the batteries may shorten battery life and decrease vehicle running time.
- After the first charge, charge the batteries for at least 14 hours after each use. Never charge the batteries longer than 30 hours.
- Charge the batteries after each use, regardless of how long the vehicle was used.
- Batteries must be upright while charging.
- Do not allow the batteries to run down completely before charging.
- Charge the batteries before storing the vehicle.
- Charge the batteries at least once per month, even if the vehicle has not been used.
- Leaving the batteries in a discharged condition will ruin them.
- Do not store batteries in temperatures above 75° F or below -10° F.
- Prevent the batteries from moving freely inside the battery compartment. Always use the battery retainer to secure the batteries in the battery compartment.
- Examine the batteries, charger and their connectors for excessive wear or damage each time you charge the batteries. If damage is detected, do not use the charger or the batteries until you have replaced the worn or damaged part.
- Charging the batteries without fuses or with blown fuses will not damage the batteries, but they will not charge. Check the fuses to make sure they are in good condition each time you charge the batteries.

**WARNING**

- Adult supervision is required. Children do not have the judgement necessary to avoid many accidents. Be sure that children operating this vehicle can do so safely and that they are supervised at all times.
- Never use in unsafe areas including but not limited to steps, steep inclines or slopes greater than 10°, roadways, bodies of water, low obstructions or in the dark.
- Always wear shoes or sneakers when operating or riding in this vehicle.
- Never allow more than 2 riders; one driver and one passenger.
- Riders should sit on the seat when the vehicle is in operation.
- Improper use of this vehicle could lead to a serious or fatal accident. Allow children to play with the **Jeep® Wrangler** only when you have determined that they can do so safely. Follow all instructions to help your child enjoy this vehicle as safely as possible.

**CAUTION**

- To avoid damaging motors and gears, do not overload the vehicle.
 - Never allow more than two children in the vehicle at one time; one driver and one passenger.
 - Do not exceed the maximum weight capacity of 130 lbs.
 - Do not tow anything behind the **Jeep® Wrangler**. The extra weight may overload the vehicle.
- Avoid operating the vehicle in wet or snowy conditions, and do not spray the vehicle with a hose. Do not wash the vehicle with soap and water. Water or moisture in the motors or electrical switches can cause them to corrode, and could cause switch failure.
- Avoid operating the vehicle on sand, loose dirt or gravel. Sand, loose dirt and gravel in the electrical switches or motors can cause them to jam, and could cause switch failure. Use the **Jeep® Wrangler** on grass, asphalt or other hard surfaces.

Teach Safety Rules to Children

While children can quickly develop the skill necessary to drive this vehicle, it is important to remember that their judgment skills are still very immature. Unsupervised driving by children can lead to serious injury. Before children use the **Jeep® Wrangler**, an adult should carefully evaluate the driving area as well as the children's skill level and ability to drive this vehicle safely. Children are not always able to recognize or anticipate hazards, even when they have been taught about them. There is no acceptable substitute for adult supervision.

Teach appropriate safety rules to your child before you allow her to operate this vehicle. These rules should also be reviewed with neighborhood children or other playmates who want to drive or ride in this vehicle.

1. Do not allow any child to drive the vehicle in the street or near moving (motorized) vehicles.
2. Do not allow any child to drive near bodies of water (such as pools or creeks), obstructions (such as furniture, low tree limbs or play equipment), or drop-offs (such as stairs or decks).
3. Do not allow any child to drive the vehicle in the dark. A child could encounter unexpected obstacles and have an accident. Operate the vehicle only in the daytime or in a well-lit area.
4. Teach your child to avoid driving on steep inclines or slopes. Restrict your child's driving to areas that are fairly level with gentle inclines or slopes of no more than 10°.
 - While driving down a steep slope, the vehicle may gain unsafe speed, even if the foot pedal is released to stop.

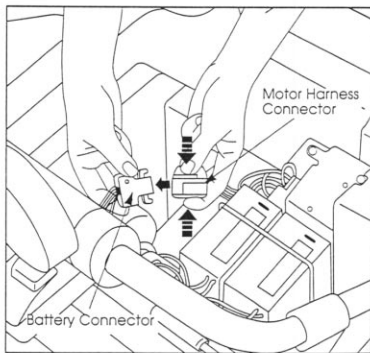
Rules for Safe Driving

- While driving across a steep slope, the vehicle may tilt and tip over. The wheels could lose traction causing the vehicle to slip.
- While driving up a steep incline, the motor may stop and the vehicle could roll backwards at an unsafe speed.



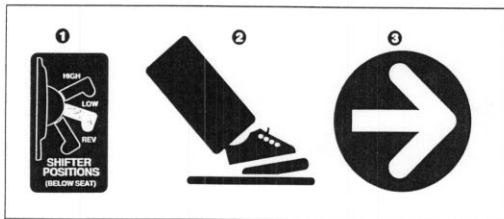
5. Operate this vehicle with no more than two riders; one driver and one passenger in the seating area. Children who are not sitting on the seat or who are standing on the vehicle could fall off, cause a tip-over or block the driver's view. A child could be seriously injured.
6. Always wear shoes or sneakers when operating or riding in this vehicle.
7. Never put anything near any moving parts. Rotating parts such as motors, gear boxes and wheels can snag fingers, hair, etc., causing serious injury. Do not allow operation of the vehicle when it is on its side or in an upside-down position.

8. Do not operate the vehicle near flammable vapors (gasoline, paint thinner, acetone, liquid wax, etc.). The vehicle's electrical switches, like most electrical switches, emit an internal spark when first turned on. The presence of flammable liquids or vapors could cause an explosion or a fire. Keep all flammable products in tightly sealed containers and away from the vehicle.
9. Do not allow a child to operate the vehicle without proper adult supervision. To prevent unsupervised use of the vehicle, disconnect the motor harness from the batteries.
 - Rotate the lock fastener $\frac{1}{4}$ turn with a slotted screwdriver to unlock the battery compartment.
 - Raise the seat to access the batteries.
 - Squeeze the tabs on the motor harness connector to unplug the battery connector from the motor harness connector.
 - Lower the seat and rotate the lock fastener $\frac{1}{4}$ turn with a slotted screwdriver to lock the battery compartment.



How to Operate your Vehicle

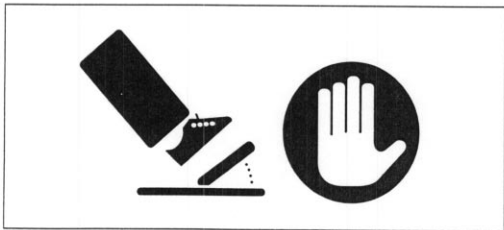
To help your child develop the skill necessary to drive this vehicle safely, your Power Wheels® vehicle has been pre-assembled so that it will only operate in low speed (2 1/2 mph). After your child has mastered the basic skills of driving and understands the rules for safe driving, it's time to disconnect the high-speed lock-out to allow the vehicle to operate at low (2 1/2 mph) or high speed (5 mph). See page below for instructions to disconnect the high-speed lock-out.



Beginner Drivers: Low Speed Forward

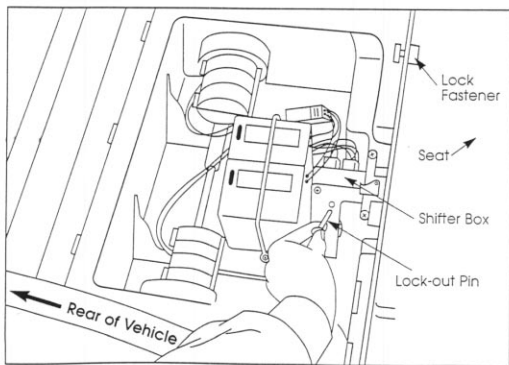
To Drive

- Make sure the shifter is in the LOW position **1**.
- Press down on the foot pedal **2**. The vehicle goes forward at 2 1/2 mph **3**.
- Help your child practice steering to learn how far and how quickly to turn the steering wheel when driving forward in low speed.



To Stop

- Your **Jeep® Wrangler** has a patented, electronic braking system that automatically stops the vehicle when your child's foot is lifted from the pedal.
- Have your child practice so that he becomes familiar with low speed forward and automatically knows how to stop.

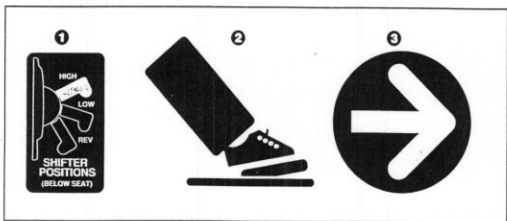


Experienced Drivers: High Speed Forward

To disconnect the High-Speed Lock-Out

- Before you disconnect the high speed lock-out, make sure your child:
 - Knows how to start and stop the vehicle easily in low speed.
 - Knows how to steer.
 - Knows the safety rules well.
- Rotate the lock fastener 1/2 turn with a slotted screwdriver to unlock the battery compartment.
- Raise the seat to access the lock-out pin.
- Pull the lock-out pin from the shifter box.
- Re-install the seat. Remember to lock the lock fastener to prevent children from accessing the batteries.

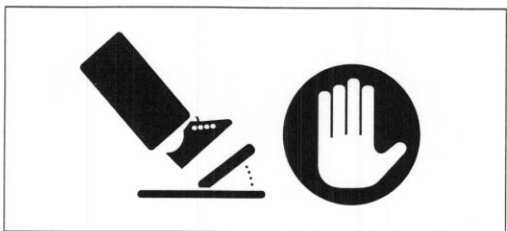
How to Operate your Vehicle



To Drive:

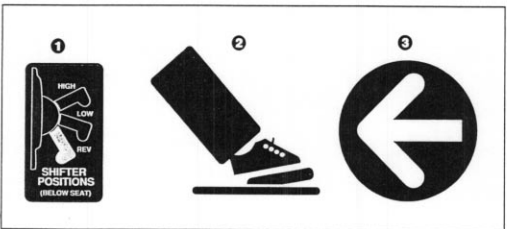
Note: To prevent damage to the motors, stop the vehicle before shifting speeds.

- Make sure the shifter is in the HIGH position **1**.
- Press down on the foot pedal **2**. The vehicle goes forward at 5 mph **3**.
- Help your child practice steering to learn how far and how quickly to turn the steering wheel when driving forward in high speed.



To Stop:

- Stopping in high speed is the same as stopping in low speed. The vehicle automatically stops when your child's foot is lifted from the pedal.



Reverse

Note: To prevent damage to the motors, stop the vehicle before shifting from forward (LOW or HIGH) to reverse.

- Once your child is completely comfortable with operating the vehicle in the forward mode (LOW or HIGH speed), introduce reverse (REV).

To Back-Up

- Make sure the shifter is in the reverse (REV) position **1**.
- Press down on the foot pedal **2**. The vehicle will go in reverse at 2 1/2 mph **3**.
- Help your child practice steering to learn how far and how quickly to turn the steering wheel when backing-up.

Q. How often do I need to charge the batteries?

A. Charge the batteries for a minimum of 14 hours after each use of the vehicle or whenever the vehicle begins to slow down. When the vehicle is not in regular use, charge the batteries at least once a month until normal use is resumed.

Q. How much riding time should I get after charging the batteries?

A. You should get from one to three hours of riding time per charge. The riding time is affected by:

- the driving surface,
- passenger weight,
- the charge of the batteries,
- whether the vehicle is used intermittently or continuously,
- condition of the electrical switches and connectors,
- whether the vehicle is used in low or high speed,
- the temperature.

Q. What is the life expectancy of the batteries?

A. Battery life will vary depending on how well you follow the Charging and Battery Care instructions. It's also affected by the total number of hours the batteries are used. Average battery life is one to three years.

Q. Do the fuses have to be inserted into the batteries when I'm charging?

A. Yes! The batteries must have good fuses installed when charging and during use. If the fuses are missing, blown or if you are using the wrong type of fuse, the batteries will not charge.

Q. How can I tell if the fuses are blown?

A. Use pliers to remove the fuses from the batteries and compare the fuses to the illustration on page 29.

Q. How can I tell if the charger is working?

A. There is no sure way to tell if your charger is working unless you have a volt meter. If you suspect there is a problem with your charger, contact your local Power Wheels® Authorized Service Center. They can test your charger for you.

Q. How and when should I store my vehicle?

A. During snowy or rainy weather, the vehicle should be stored inside or under a protective cover. Remember to charge the batteries at least once per month while your vehicle is not in regular use.

Q. How should I care for my vehicle?

The vehicle can be wiped down with a soft, dry cloth. For a shiny finish, you can wipe plastic parts with a non-wax furniture polish applied to a soft-cloth. Do not use automotive wax. Do not use soap and water or spray the vehicle with a hose.

To ensure that your vehicle stays in good operating order, we recommend that you periodically have your vehicle checked by a Power Wheels® Authorized Service Center. See page 40 for the list of Authorized Service Centers or call 1-800-348-0751 for the location of the Authorized Service Center nearest you.

Q. If I have a problem that I can't solve myself, what should I do?

A. Power Wheels® has over 300 Authorized Service Center locations. They can repair vehicles under warranty, or out of warranty, or sell you the proper parts for you to do the repair work. These service centers have factory-trained personnel, and use only genuine Power Wheels® replacement parts. If there is not an Authorized Service Center in your area, please call Power Wheels® Consumer Affairs toll-free at: 1-800-348-0751.

Problems and Solutions Guide

IMPORTANT! If you experience a problem with your vehicle, first check the Problems and Solutions Guide below. If you still experience a problem, please contact Power Wheels® Consumer Affairs, toll-free at 1-800-348-0751 between 8 AM and 6 PM (EST) Monday through Friday. Or, contact your local Power Wheels® Authorized Service Center. For the location nearest you, please refer to the Authorized Service Center list beginning on page 40.

Problem	Possible Cause	Solution
Vehicle does not run	Undercharged batteries	Charge the batteries. New batteries should have been charged for at least 18 hours before using the vehicle for the first time. After first-time use, recharge batteries for at least 14 hours after each use. Never charge the batteries longer than 30 hours.
		Check all connectors. Make sure the battery connector is tightly plugged into the charger connector, and that the charger is plugged into the wall.
		Make sure power flow to the wall outlet is "ON".
	Wrong type or improperly installed fuse	Make sure that each battery has a properly installed Power Wheels® 30 amp fuse before charging. For best performance, do not use substitute parts.
	Blown fuses	Make sure that the fuses in the batteries are in good condition. Replace blown fuses with Power Wheels® 30 amp fuses. For best performance, do not use substitute parts.
	Loose wire or loose connectors	Check all wires and connectors. Make sure the battery connector is tightly plugged into the motor harness connector, and that there are no loose wires around the motors.
	Dead batteries	If your batteries are old or if you have not followed Battery Care instructions, your batteries may be dead. If you are unsure whether or not the batteries are dead, you can have them tested at your local Power Wheels® Authorized Service Center.
		If one or both batteries are dead, replace BOTH batteries with new Power Wheels® Type H, 6 volt batteries. (Use of a new battery with an older battery may cause permanent damage to both batteries.) For best performance, do not use substitute parts.
Electrical switch damage	The electrical switches can become corroded due to exposure to water or moisture, or can jam due to loose dirt, sand or gravel. Contact your local Power Wheels® Authorized Service Center for diagnosis and repair.	
Motor damage	Contact your local Power Wheels® Authorized Service Center for diagnosis and repair.	

Problems and Solutions Guide

Problem	Possible Cause	Solution
Vehicle was running but suddenly stopped	Loose wire or loose connectors	Check all wires and connectors. Make sure the battery connector is tightly plugged into the motor harness connector, and that there are no loose wires around the motors.
	Wrong type or improperly installed fuse	Make sure that each battery has a properly installed Power Wheels® 30 amp fuse installed before charging. For best performance, do not use substitute parts.
	Blown fuses	Make sure that the fuses in the batteries are in good condition. Replace blown fuses with Power Wheels® 30 amp fuses. For best performance, do not use substitute parts.
	Vehicle is overloaded	Make sure you do not overload the vehicle by allowing more than 2 riders at one time, by exceeding the 130 lbs. maximum weight capacity, or by towing objects behind the vehicle. If the vehicle is overloaded, it will automatically shut down. The vehicle will reset itself after approximately 20 seconds. Reduce the load on the vehicle to prevent additional automatic shut-downs.
	Driving conditions are too stressful	Use only on gentle inclines or slopes of 10° or less. Extreme temperatures can also affect run time. If the driving conditions are too stressful, the vehicle will automatically shut down. The vehicle will reset itself after approximately 20 seconds. Adjust the driving conditions to prevent additional automatic shut-downs.
Short run time (Less than 1 hour in high speed; less than 3 hours in low speed)	Undercharged batteries	Charge the batteries. New batteries should have been charged for at least 18 hours before using the vehicle for the first time. After first-time use, recharge batteries for at least 14 hours after each use. Never charge the batteries longer than 30 hours.
		Check all wires and connectors. Make sure the battery connector is tightly plugged into the charger connector, and that the charger is plugged into the wall.
		Make sure power flow to the wall outlet is "ON".
	Overcharged batteries	Do not charge the batteries longer than 30 hours.
	Batteries are old and will not accept full charge	Even with proper care, rechargeable batteries do not last forever. Average battery life is 1 to 3 years depending on vehicle use and use conditions. Always replace batteries as a set; use of an older battery with a newer battery may cause permanent damage to both batteries. Replace BOTH batteries with Power Wheels® Type H 6 volt batteries. For best performance, do not use substitute parts.
	Wrong type or improperly installed fuse	Make sure that each battery has a properly installed Power Wheels® 30 amp fuse installed before charging. For best performance, do not use substitute parts.
	Driving conditions are too stressful	Use only on gentle inclines or slopes of 10° or less. Extreme temperatures can also affect run time. If the driving conditions are too stressful, the vehicle will automatically shut down. The vehicle will reset itself after approximately 20 seconds. Adjust the driving conditions to prevent additional automatic shut-downs.

Problems and Solutions Guide

Problem	Possible Cause	Solution
Vehicle runs sluggishly	Undercharged batteries	Charge the batteries. New batteries should have been charged for at least 18 hours before using the vehicle for the first time. After first-time use, recharge batteries for at least 14 hours after each use. Never charge the batteries longer than 30 hours.
		Check all connectors. Make sure the battery connector is tightly plugged into the charger connector, and that the charger is plugged into the wall.
		Make sure power flow to the wall outlet is "ON".
	Batteries need charging	After approximately 1 hour of constant use in high speed or 3 hours of constant use in low speed, the batteries need charging.
	Wrong type or improperly installed fuse	Make sure that each battery has a properly installed Power Wheels® 30 amp fuse installed before charging. For best performance, do not use substitute parts.
	Batteries are old and will not accept full charge	Even with proper care, rechargeable batteries do not last forever. Average battery life is 1 to 3 years depending on the vehicle use and use conditions. Always replace batteries as a set: use of an older battery with a newer battery may cause permanent damage to both batteries. Replace BOTH batteries with Power Wheels® Type H 6 volt batteries. For best performance, do not use substitute parts.
	Vehicle is overloaded	Make sure you do not overload the vehicle by allowing more than 2 riders at one time, exceeding the 130 lbs. maximum weight capacity, or by towing objects behind the vehicle. If the vehicle is overloaded, it will automatically shut down. The vehicle will reset itself after approximately 20 seconds. Reduce the load on the vehicle to prevent additional automatic shut-downs.
Driving conditions are too stressful	Use only on gentle inclines or slopes of 10° or less. Extreme temperatures can also affect run time. If the driving conditions are too stressful, the vehicle will automatically shut down. The vehicle will reset itself after approximately 20 seconds. Adjust the driving conditions to prevent additional automatic shut-downs.	
Vehicle runs in low speed, but does not run in high speed (Please Note: The vehicle is designed to operate in low speed only in reverse (REV).)	High Speed Lock-Out not disconnected	The vehicle was pre-assembled to run only in low speed. To allow the vehicle to run in low and high speed, you must disconnect the High Speed Lock-Out. Follow the instructions on page 33 to disconnect the HighSpeed Lock-Out.
	One of the fuses is blown	Check the fuses and replace the blown fuse with a Power Wheels® 30 amp fuse. For best performance, do not use substitute parts.

Problems and Solutions Guide

Problem	Possible Cause	Solution
Sometimes the vehicle doesn't run, but other times it does	Loose wire or connector	Check all wires around the motors and all connectors to make sure they are tight.
	Motor or electrical switch damage	Contact your local Power Wheels® Authorized Service Center for diagnosis and repair.
When the foot pedal is pressed, the vehicle won't run without a push	Loose wire or connector	Check all wires around the motors and all connectors to make sure they are tight.
	"Dead Spot" on motor	Contact your local Power Wheels® Authorized Service Center for diagnosis and repair.
Vehicle constantly blows fuses	Wrong type of fuse used	Jeep® Wrangler requires two Power Wheels® 30 amp fuses, one in each battery. Make sure Power Wheels® 30 amp fuses are properly installed in the batteries. For best performance, do not use substitute parts.
	Child is switching speeds or switching from forward (LOW or HIGH) to reverse (REV) without stopping	Teach your child to stop the vehicle before switching speeds and before switching from forward to reverse. Replace blown fuses with Power Wheels® 30 amp fuses. For best performance, do not use substitute parts.
Loud clacking or grinding noise from a motor-gearbox	Broken gears	Contact your local Power Wheels® Authorized Service Center for diagnosis and repair.
Charger gets warm during use	It is normal for some chargers to get warm during use and is not reason for concern. Some chargers do not get warm during use.	No action required.
		If your charger does not get warm during use, it does not mean that it is not working properly.
Batteries make a sizzling or gurgling noise when charging	It is normal for some batteries to make noise and swell slightly while charging and is not reason for concern. Some batteries do not make noise or swell while charging.	No action required.
		If your batteries do not make noise or swell slightly during charging, it does not mean that they are not accepting the charge.

If, after reviewing the Problems and Solutions Guide, the vehicle still fails to operate, please contact your nearest Authorized Service Center (see page 40) or contact Power Wheels Consumer Affairs toll-free at 1-800-348-0751.

Helpful Hint: For faster service when calling Consumer Affairs, completely charge the batteries before calling and have the following available by the phone:

- vehicle,
- vehicle model number (see sticker in battery compartment),
- vehicle production run number (see sticker in battery compartment),
- Phillips screwdriver, slotted screwdriver and needle-nose pliers with plastic or rubber handles,
- extra Power Wheels® 30 amp fuses are helpful.



Statement of Limited Warranty

90-day limited warranty for the Power Wheels® Ride-On Toy Vehicle

A 6-month battery warranty applying only to those 6-volt batteries which were included by Power Wheels®, with the Power Wheels® vehicle when originally purchased.

This limited warranty covers the Power Wheels® ride-on vehicle and the 6-volt batteries, purchased from Power Wheels® by the original purchaser, against defects in materials and workmanship.

This warranty covers normal use and does not cover the Power Wheels® vehicle or batteries if damaged by unreasonable use, neglect, accident, abuse, misuse, improper service or other causes not arising out of defects in materials or workmanship. Evidence of any attempt at consumer repair will void this warranty. This warranty does not cover, and is intended to exclude, any liability on the part of Power Wheels®, whether

under this warranty or implied by law or any indirect or consequential damages for breach of warranty. Some states do not allow the exclusion or limitation so this limitation may not apply to you.

Should you need service or assistance with your vehicle during the warranty period, DO NOT RETURN THE VEHICLE TO THE STORE. Power Wheels® has provided a nationwide network of Authorized Service Centers. Please refer to the list in this manual. Power Wheels® is continually expanding our Authorized Service Center network. If there is not an Authorized Service Center in your area, please call Consumer Affairs for information. 1-800-348-0751.

This warranty gives you specific legal rights, and you may also have other rights which may vary from state to state.

PLEASE SAVE YOUR ORIGINAL SALE'S RECEIPT.



Authorized Service Centers

We are continually expanding our Authorized Service Center Network. Please check this listing for the Authorized Service Center nearest you. If there is not one in your area, please call Power Wheels® Consumer Affairs at 1-800-348-0751.

ALABAMA

BIRMINGHAM - Frigid Service & Sales, 701 Graymont Ave. North, 35203, (205) 323-5831
BIRMINGHAM - Frigid Service & Sales, 1861 Centerpoint Rd., 35215, (205) 853-3952
BIRMINGHAM (HOMEWOOD) - D & R Appliance Company, 154 West Valley Ave., 35209, (205) 942-3959
CULLMAN - Robert G. Weaner Company, 1115 4th Street S.W., 35055, (205) 734-5673
DECATUR - Peddler II, 1000 B Belltime Road, 35063, (205) 350-1044
DOTHAN - Bill's Appliance Service, 208 Bic Road, P.O. Box 1192, 36303, (334) 792-7746
DODDGE - Brown Hardware, Highway 75, 35964, (205) 593-6086
HUNTSVILLE - C & G Appliance, 307 Jordan Lane, 35805, (205) 837-4551
MOBILE - Foster's Appliance Repair, 1660 South Belltime Hwy., 36693, (205) 686-2670
MONTGOMERY - Acme Service Co., 2603 Highland Ave., 36107, (205) 264-2456, (800) 285-2160
TUSCALOOSA (NORTHPORT) - Frigid Service & Sales, 2813 Lurleen B. Wallace Blvd., 35478, (205) 339-3624

ALASKA

ANCHORAGE - Ken's Electronics Service, 360 E. International, Ste. 8, 99518, (907) 562-3443

ARIZONA

GLENDALE - Elliott Electric Appliance Service, 6242 N. 43rd Avenue, 85301, (602) 937-2613
SCOTTSDALE - Elliott Electric, 7515 E. McDowell Road, 85257, (602) 946-7487

ARKANSAS

FT. SMITH - Bromley Appliance Service, 614 North 10th Street, 72901, (501) 782-9646
JONESBORO - Best Sewing & Vacuum & Repair, 2235 S. Canaway Road, 72401, (501) 935-4739, (800) 844-4739
LITTLE ROCK - C & W Tool Repair, 1303 W. Markham, 72201, (501) 374-1911
ROGERS - Kressel's Vacuum & Repair, 115 North 5th Street, 72756, (501) 636-7894
STUTT GART - Davis Lumber Company, 301 East Michigan, 72160, (501) 673-3601

CALIFORNIA

BAKERSFIELD - Southwest TV, 6300 White Lane, Suite B, 93309, (805) 397-4940
CONCORD - California Electric Service Center, 1170-G Burnett Avenue, 94520, (510) 827-1011
COVINA - California Electric Service Center, 612 Shoppers Lane, 91723, (818) 915-4935
DUBLIN - California Electric Service Center, 6259 Sierra Court, Suite B, 94568, (510) 551-3390
FONTANA - California Electric Service Center, 9794 Sierra Avenue, 92335, (909) 355-2500
FORT JONES - Ft. Jones Frontier Hardware, 11911 Main Street, 96032, (916) 468-2266
FRESNO - Valley Small Appliance, 4005 E. Ashlan Avenue, 93726, (209) 224-5530
FULLERTON - California Electric Service Center, 1206 E. Ash Avenue, 92631-5020, (714) 870-0900
LOS ALAMITOS - California Electric Service Center, 11284 Los Alamitos Blvd., 90720, (310) 430-2568
MERCED - Moosehead Electronics, 920 W. 18th Street, 95340, (209) 723-4712

MISSION VIEJO - California Electric Service Center, 23725 Via Fabncante, Unit B, 92691, (714) 566-9440
OAKLAND - California Electric Service Center, 1139 E. 12th Street, 94606, (510) 834-1050
OXNARD - Terry's Inc., The Clean-up Store, 1237 Saviers Road, 93033, (805) 487-9401, (800) 845-3223
PASADENA - California Electric Service Center, 2594 E. Colorado Blvd., 91107, (818) 792-3194
SACRAMENTO - California Electric Service Center, 1821 "O" Street, 95814, (916) 443-5711
SAN CARLOS - California Electric Service Center, 990 Industrial Road, Suite 102, 94070, (415) 593-6696
SAN DIEGO - California Electric Service Center, 3430 El Cajon Blvd., 92104, (619) 283-6488
SAN FRANCISCO - California Electric Service Center, 1050 Bryant Street, 94103, (415) 431-8494
SAN JOSE - California Electric Service Center, 783 The Alameda, 95126, (408) 295-1723
SANTA ANA - California Electric Service Center, 2025 South Main Street, 92707, (714) 641-0529
SANTA ROSA - Hardisty's Inc., 710 Farmers Lane, 95405, (707) 545-0535
STOCKTON - California Electronics, 929 North Yosemite Street, 95203, (209) 466-5432
TEMECULA - California Electric Service Center, 41715 Enterprise Circle North, Suite 101, 92590, (909) 695-5445
VAN NUYS - California Electric Service Center, 14753 Oxnard Blvd., 91411, (818) 997-8655
WEST LOS ANGELES - California Electric Service Center, 2314 S. Westwood Blvd., 90064, (310) 475-2532
YUCAIPA - Aire-Rite Heating & A/C, 34724 Yucaipa Blvd., 92399, (909) 797-2788

Authorized Service Centers

COLORADO

COLORADO SPRINGS - Nelson Appliance Repair, Inc., 1220 E. Filmore, 80709, (719) 635-1928
DENVER - Appliance Service, 4252 Lowell Blvd., 80211, (303) 458-1109, (800) 631-0941 (CO. WY. only)
DENVER (ENGLEWOOD) - Appliance Service, 3932 S. Broadway, 80110, (303) 781-1227 (800) 553-1864
GRAND JUNCTION - V & J Appliance Service, 809 North Avenue, 81501, (970) 243-3360

CONNECTICUT

HARTFORD (BLOOMFIELD) - Philips Consumer Electronics, 1254 Elm Hills Avenue, 06002, (203) 725-9612, (800) 862-2225
HARTFORD - Hartford Element & Appliance Service, 1500 Albany Avenue, 06112, (860) 248-7424, (800) 787-7977
NEW HAVEN (HAMDEN) - New Haven Appliance Service Center, 1627 Dixwell Avenue, 06514, (203) 288-6229
SHELTON - Jeff's Appliance, Inc., 500A Howe Avenue, 06484, (203) 924-8957
STAMFORD - Appliance Servcenter of Stamford, 15 Cedar Heights Road, 06905, (203) 322-7656
WATERBURY - P.J. Appliance Repair, 933 South Main Street, 06706, (203) 757-1014

DELAWARE

DOVER - Del-Mar Appliance of Delaware, 230 South Governors Avenue, 19904, (302) 874-2414, (800) 858-3424
WILMINGTON - Lyons Hardware, Inc., 2021 Kirkwood Highway, 19805, (302) 995-1262

FLORIDA

ATLANTIC BEACH - First Coast Repair, 25 Seminole Road, 32233, (904) 248-4616
GAINESVILLE - Authorized Appliance Service Co., 2614 S.W. 34th Street, 32608, (904) 375-3886
HIALEAH - S-O Service Co., 925 Hialeah Drive, 33010, (305) 887-6275
HOLLY HILL - Ormond Element, 1688 Ridgewood Avenue, 32117, (904) 877-3497
JACKSONVILLE - Authorized Appliance Service Co., 6120-S Powers Avenue, 32217, (904) 737-5312
LAKE CITY - S&S Mowers Sales & Service, Route 10, Box 9161, Hwy 47 South & MacFarland Ave., 32055, (904) 755-9375
LAKELAND - Electric Shaver & Small Appliance, 4243 S. Florida Avenue, 33813, (813) 944-6900
NORTH FORT MYERS - Family Hardware, 13817 N. Cleveland Ave., 33903, (813) 995-6161
OCALA, Vacuums, Inc., 3535 S.E. Maricamp Road, #103, 34471, (904) 894-2247
ORLANDO - Philips Consumer Electronics, 2452 Sand Lake Road, 32809, (407) 877-8999, (800) 942-9128
ORLANDO - Pine Hills Appliance Co., 9100-4 W. Colonial Drive, 32808, (407) 299-1271
ORLANDO - Southern Electric Co., 510 N. Parramore Avenue, 32801, (407) 841-3824, (800) 940-8824
PANAMA CITY, Callaway Vacuum & Sewing, 221 N. Tyndal Pkwy., 32404, (904) 763-6333
PENSACOLA - Foster's Appliance Repair, 3636 North Davis Highway, 32503, (904) 432-8653
POMPANO BEACH - Authorized Appliance Service Co., 2171-N. Dixie Highway, 33060, (305) 941-2038
POMPANO BEACH - Philips Consumer Electronics, 2099 W. Atlantic Blvd., 33069, (305) 979-0467, (800) 635-6488
PORT ST. LUCIE - Hoppe's Authorized Vac & Appliance, 6735 S. Federal Way, 34952, (407) 484-0102
ROCKLEDGE - Neisco Do-it-Center, 400 Barton Blvd., 32955, (407) 839-1400
SARASOTA - Sunray Small Appliances, 8371 N. Tamiami, 34243, (941) 558-9999, (800) 895-5655
SEBRING - Sebring Do-it-Center, 305 U.S. 27 North, 33870, (813) 385-2785
SUNRING HILL - Crowder Bros Hardware, 5350 Spring Hill Dr., 34066, (904) 688-6474
ST. PETERSBURG - Keystone Electric, 4044 Central Avenue, 33711, (813) 321-1124
STUART - Appliance Doctors, 3166 S.E. Dixie Highway, 34997, (407) 287-6437
SUNRING - Muller Appliance Service, 2620 N. University Drive, 33522, (305) 749-5460

TALLAHASSEE - Prescott's Ace Hardware, 4831 Kerry Forest Parkway, 32308, (904) 668-3389
TAMPA - Authorized Appliance Service Co., Dibbs Plaza, 4119 Gunn Hwy., Unit 8, 33624, (813) 968-6368
VERO BEACH - Hoppe's Authorized Vac & Appliance, 1872 Commerce Avenue, 32960, (407) 562-4466
WEST PALM BEACH - Satisfaction TV Video Service, Inc., 1701-05 Kirk Road, 33456, (407) 439-3733

GEORGIA

ATLANTA - Georgia Service Center, 5366 Buford Hwy., 30340, (770) 455-1716, (800) 455-1715
ATLANTA (MARIETTA) - Philips Consumer Electronics, 200 N. Cobb Parkway, Bldg. #100, Suite 120, 30062, (770) 795-0085
AUGUSTA - A & A Appliance Parts & Service, 1708 Walton Way, 30904, (706) 733-5163
BRUNSWICK - Arco Hardware & Supply, 3711 Community Road, 31520, (912) 267-0771
COLUMBUS - Burrell's National Appliance Service, 1728 Warm Springs Road, 31904, (706) 327-0523
MACON - Capitol Cycle Company, 1090 Washington Avenue, 31201, (912) 745-3946
SAVANNAH - Haysel Appliance Service, 3 West Victory Drive, 31405, (912) 233-8372
TIFTON - Western Auto, 354 S. Main St., 31794, (912) 382-5767

HAWAII

HONOLULU - McCully Bicycle & Sporting Goods, 323 Hausten Street, 96826, (808) 946-1192
WAILUKU (MAUI) - Tom's Appliance Sales & Service, 991 Ewa Street, 96793, (808) 244-8278
WAIKAPU - Waiapu Bicycle, 94-320 Depot Street, 96797, (808) 871-4091

IDAHO

BOISE - Bose Appliance, 1503 Main Street, 83702, (208) 343-9102

ILLINOIS

CHAMPAIGN - Appliance Parts & Service, 905 Francis, 61821, (217) 355-0220
CHICAGO - Chicagoland Bicycle, 10126 S. Western Ave., 60643, (312) 445-0811
CHICAGO (BERWYN) - Brand Service Center, 6739 West Cermak, 60402, (708) 749-4315
CHICAGO (DOWNER'S GROVE) - Authorized Appliance Service Co., 1644 W. Ogden Avenue, 60515, (708) 852-1550, (800) 829-1798
CHICAGO (MORTON GROVE) - Brand Service Center, Inc., 5818 Dempster Street, 60053, (708) 965-5900
JACKSONVILLE - Rexx Battery Specialists, 847 South Main Street, 62550, (217) 245-2713
NASHVILLE - Kessel Hardware, 173 West St. Louis, 62263, (618) 327-8997
NILES - Household Appliance Sales & Serv., 7411 N. Milwaukee Ave., 60714, (708) 647-8250, (800) 572-8826, Fax (708) 647-2214
PEORIA - Brand Service Center, 6926-I North University Street, Targoveston Center, 61614, (309) 691-7588
ROCKFORD - Sun Appliance Sales & Service, 3112 N. Rockton Avenue, 61103, (815) 964-3866
SPRINGFIELD - Bannon Electronics, 1224 N. Franklin, 62702, (217) 523-0313
WAUKEGAN - Brand Service Center, 2850 Belvidere Road, 60085, (708) 244-5800

INDIANA

EVANSVILLE - Electro Hygiene Co., 1614 South Kentucky, 47714, (812) 425-2671
FT. WAYNE - Don's Hardware, 3701 Coventry Lane, in the Village of Coventry, 46804, (219) 436-2278
FT. WAYNE - Sun Appliance Service & Sales, 3523 N. Anthony Blvd., 46805, (219) 482-1702
HAMMOND - Brand Service Center, Inc., 6347 Indianapolis Blvd., 46320, (219) 844-0920
INDIANAPOLIS - Brand Service Center, 1827 N. Meridian Street, 46202, (317) 924-1266
INDIANAPOLIS - Sullivan Hardware Do-it-Center, 7021 N. Keystone, 46220, (317) 255-9230
MUNCIE - Joe's Appliance Service, 4405 N. Old State Road, 31703, (317) 286-2696

NEW ALBANY - Wells Hardware, Inc., 1011 Vincennes Street, 47510, (812) 944-4423
SOUTH BEND - Ray's TV and Appliance, 60717 US 31 South, 46614, (219) 291-1630
SOUTH BEND (OSCEOLA) - AAA Appliance Service Co., 11888 Lincoln Way West, 46561, (219) 879-4981
TERRE HAUTE - Alex TV & Appliance Sales & Service, 924 South 8th Street, 47802, (812) 332-8789

IOWA

BETTENDORF - K & K True Value Hardware, 1818 Grant Street, 52722, (319) 359-4473
CDAR RAPIDS - Stalker Electric, Inc., 110 3rd Ave. SW, 52404, (319) 364-5646
DES MOINES - Quality Appliance Repair Center, 1417 Walnut Street, 50309, (515) 288-0106
DUBUQUE - Shaver's Plus, 11 Bluff Street, 52001, (319) 558-4442
SIoux CITY - Miller Television Inc., 1419 Hamilton Blvd., 51103, (712) 258-3435

KANSAS

COLBY - Gavon's Electronics, 1870 South Range, 67701, (913) 462-6601
JUNCTION CITY - R/C Hobbies, 115 W. 7th Street, 66441, (913) 238-1877
KANSAS CITY (OVERLAND PARK) - Mar-Bec Appliance Service Co., 8471 West 95th Street, 66212, (913) 642-1557
WICHITA - Alan Appliance Service, Inc., 1300 E. Central, 67214, (316) 262-7228, (800) 290-7228

KENTUCKY

GREENVILLE - Malone Lumber Do-it-Center, 204 W. Depot Street, 42345, (502) 338-3252
LEXINGTON - Factory Electronics, 2422 Palumbo Drive, 40509, (606) 269-7341
LEXINGTON (VERSAILLES) - Deavers Hardware, 211 N. Main St., 40383, (606) 873-7099
LOUISVILLE - Maury's Fluorescent & Appliance Service, 1521 Bardonia Street, 40202, (502) 455-1871
MAIDENVILLE - Kuester's Hardware, N. Main St., Martin Mall, 42431, (502) 825-2818
OWENSBORO - Kuester's Hardware, 1210 Carter Road, 42301, (502) 685-4916
PAUDCUM - Hank Brothers True Value, 3101 Lone Oak Rd., 42003, (502) 554-4001

LOUISIANA

BATON ROUGE - Home Appliance Center, Inc., 10781 Florida Blvd., 70815, (504) 272-7727
LA FAYETTE - Cullen's Playland, 4498 Johnston Street, 70503, (318) 981-2929
LAKE CHARLES - Capitol Schwinn Cyclery, 722 E. Prien Lake Road, 70605, (337) 474-9090
NEW ORLEANS (METAIRIE) - Le Jout, Inc., 1700 Airline Hwy., 70001, (504) 837-0533
SHREVEPORT - Shreveport Shop and Appliance, 3750 St. Vincent, Bout Kouns Ind. Loop, 71106, (318) 855-5088, (800) 349-7922
WEST MONROE - West Monroe Small Appliance Repair, 1300 N. 7th Street, Suite F, 71291, (318) 323-5088

MAINE

BANGOR - Adco Supply Electric Co., 1292 Hammond St., 04401, (207) 942-5273
PORLAND - Colonial Electronics, Inc., 259 St. John Street, 04102, (207) 774-8666

MARYLAND

BALTIMORE (ELLCOTT CITY) - Clark Do-it-Center, 10225 Baltimore National Pk., 21142, (410) 313-9100
BALTIMORE (TOWSON) - Duran Service Company, 8741 Mylander Lane, 21286, (410) 321-9033
EASTON - Easton Schwinn Cyclery, 723 Goldsboro Street, 21601, (410) 822-7433
GAITHERSBURG - Walters Appliance Service, 216 E. Diamond Avenue, 20878, (201) 258-7500, (800) 225-5009
SALISBURY - Cycle and Sports Outlet, 2505 N. Salisbury Blvd., 21801, (410) 860-0400
TANEYTON - MacHenry Services, 68 Frederick Street, 21787, (410) 766-6659, (800) 276-1301
WASHINGTON DC. (BELTSVILLE) - Philips Consumer Electronics, 10800 Rhode Island Avenue, 20705, (301) 595-5330, (800) 438-9647

Authorized Service Centers

MASSACHUSETTS

BOSTON (MEDFIELD) - Wills Hardware, 5 Janes Avenue, 02052, (508) 359-4381
BOSTON (WALTHAM) - Suburban Appliance Service Center, Inc., 271 Moody Street, 02154, (617) 893-6694
QUINCY - Appliance Service and Parts, Inc., 582 Washington Street, Route 3A, 02169, (617) 773-6656
SALEM - Fix Master, Inc., 190 North Street, 01970, (508) 745-0004
SPRINGFIELD - Utility Electric Service, Inc., 810 Main Street, 01101, (413) 781-1635

MICHIGAN

ALMONT - Almont Hardware, 4545 Van Dyke, P.O. Box 511, 48003, (810) 798-8922
BAY CITY - Bay Vac & Pedal, 805 Columbus Ave., 48708, (517) 892-7516
DEARBORN - McNichols Electric Service, 1836 Grindley Park, 48124, (313) 563-7550
DETROIT - McNichols Electric Service, 13725 W. McNichols, 48235, (313) 342-6070, (800) 562-4226
DETROIT (ROYAL OAK) - McNichols Electric Service, 4115 West 13 Mile Road, 48072, (810) 288-5135
DETROIT (UTICA) - McNichols Electric Service, 49600 Van Dyke, 48317, (810) 726-8290
FLINT (DAVISON) - Gill-Roy's Hardware, 8405 East Davison, 48423, (810) 653-2288
FLINT (SWARTZ CREEK) - Gill-Roy's Hardware, 9061 Miller Road, 48473, (810) 635-2020
GRAND RAPIDS - Superior Appliance Service Co., 1050 Scribner Avenue, NW, 49504, (616) 459-3271
JACKSON - Hammond Hardware, 1800 Francis St., P.O. Box 7, 49204, (517) 782-0704
KALAMAZOO - Consumer Repair, 1710 West Main Street, 49007, (616) 344-1200
LANSING - Rapid Appliance Service, Inc., 1454 E. Michigan Avenue, 48912, (517) 485-1320
MIDLAND - Knopic's Do-It Center, 3128 Jefferson Ave., 48640, (517) 832-2774
TRAVERSE CITY - De Weese Hardware Inc., 1029 Carver Street, 49685, (616) 947-7670

MINNESOTA

DULUTH - Mr. Fix it - Metro Appl. Service Center, Inc., 2020 W. Superior St., 55806, (218) 722-9063
MINNEAPOLIS (ST. LOUIS PARK) - Barness, 4631 Excelsior Blvd., 55416, (612) 926-0521
ROCHESTER - Robert's Electronics, 611 6th Ave. NW, 55901, (507) 282-2140
ST. PAUL - Barness, 1573 University Avenue, 55104, (612) 646-3109

MISSISSIPPI

HATTIESBURG - Champion Cycle & Fitness, 104 S. 37th Avenue, 39401, (601) 264-8233, (800) 273-4158
IUKA - W. H. Fairless Hardware Co., Inc., 117 Fulton Street, 38852, (601) 423-2233, (800) 797-9457
JACKSON (RIDGELAND) - Prcpeller Service, 291 Hwy. 51, Suite D6, 39157, (601) 856-3191
MERIDIAN - Broadmoor Home Center, 2420 Old North Hills Street, P.O. Box 3280, 39305, (601) 483-7373
NATCHEZ - Western Auto, 180 Seargent Prentiss Dr., 39120, (601) 445-4186
STARKVILLE - East Mississippi Lumber Co., 300 Russell Street, 39759, (601) 323-3554

MISSOURI

INDEPENDENCE - Mar-Beck Appliance Service Co., 4476 South Noland Road, 64055, (816) 478-1889
KANSAS CITY - Mar-Beck Appliance Service Co., 303 W. 79th Street, 64114, (816) 523-6931
KANSAS CITY (GLADSTONE) - Mar-Beck Appliance Serv. Co., 6559 N. Oak Traffic Way, 64118, (816) 436-9191
POPLAR BLUFF - Mills Iron & Supply, 1919 S. Westwood Blvd., 63901, (314) 785-2628
SPRINGFIELD - Mar-Beck Appliance Service Co., 2704 S. Glenstone Avenue, 65804, (417) 882-3070
ST. LOUIS - Authorized Appliance, Inc., 2355 Hampton Avenue, 63139, (314) 647-4250
ST. LOUIS - Brand Service Center, Inc., 1624 S. Broadway, 63104, (314) 231-0751

MONTANA

BILLINGS - Radio Equipment Company, 1120 16th Street West, 59104, (406) 256-9778
GREAT FALLS - Arrowhead Electronics, Inc., 2026 2nd Avenue North, 59401, (406) 761-1666

NEBRASKA

GRAND ISLAND - Mundt's Small Appliance & Vacuum Repair, 1822 W. Northfront Street, 68803, (308) 382-5084
LINCOLN - CB Small Appliance, 432 South 11th Street, 68508, (402) 475-2546
LINCOLN - Sperry TV, 1115 North 47th St., 68503, (402) 464-9181
LINCOLN - Sperry TV, 2013 Highway 2, 68502, (402) 464-9181
NORTH PLATTE - Sperry TV, 1855 West A Street, Westfield Shopping Center, 69010, (308) 532-5200
OMAHA - Myers Electric Co., 7571 Dodge Street, 68114, (402) 393-8388, (800) 234-1414
OMAHA - Myers Electric Co., Inc., 1458 South 16th Street, 68108, (402) 342-7710

NEVADA

LAS VEGAS - Burney's Commercial Service, Inc., 4480 Aldebaran Avenue, 89103, (702) 736-0006
MINDEN - Valley Home & Sport Center, 1587 Highway 395, 89423, (702) 782-5111

NEW HAMPSHIRE

CONCORD (BOW) - Casco Food Equipment Service, 10 Dunklee, 03304, (603) 224-2663, (800) 660-2058

NEW JERSEY

HAWTHORNE - Ter Kulle, Inc., 206 Diamond Bridge Avenue, 07506, (201) 423-1142
HIGHLAND PARK - Dash Electronics, 10 N. 2nd Street, 08904, (908) 247-5124
HOWELL - South Jersey TV Service, Inc., 4232 Rt. 9 South, 07731, (908) 363-5550, (800) 244-3094
OCEAN - South Jersey TV Service, Inc., 1719 Route 35, 07712, (908) 531-3565
SICKLERVILLE - Sicklerville Hardware, 540 Williamstown Road, 08081, (609) 728-3800
TOMS RIVER - South Jersey TV Service, Inc., Stella Towne Center, 1258 Route 166, 08753, (908) 505-1771
TOTOWA - Philips Consumer Electronics, 140J Commerce Way, 07512, (201) 890-7200, (800) 276-9933
TRENTON - Tattersall, Inc., 309 N. Willow Street, 08618, (609) 393-4293

NEW MEXICO

ALBUQUERQUE - Appliance Service Center, 5505 Silver Avenue, SE, 87108, (505) 255-7774
CLOVIS - Burns Hardware, 1511 N. Prince, 88101, (505) 769-2528

NEW YORK

BAYSHORE, L.I. - Turnpike Appliance of Suffolk, Inc., 1253 Sunrise Highway, 11706, (516) 665-8311
BINGHAMTON - Hardware Fare DO-IT Center, 1139 Front Street, Nimmonsburg Square, 13905, (607) 722-9202
BUFFALO - Buffalo Appliance Repair Center, Inc., 20 Pannell Street, 14214, (716) 833-4677
BUFFALO (WILLIAMSVILLE) - Hector's Hardware, 876 Maple Road, 14221, (716) 688-4488
COMMACK, L.I. - Turnpike Appliance Service, 6181 Jericho Turnpike, 11725, (516) 499-3355
ELMIRA - Capabilities, Inc., 1149 Sullivan Street, 14901, (607) 734-2006
GREAT NECK - Turnpike Appliance Service Center, 45 Northern Boulevard, 11021, (516) 466-0644
HUDSON - Sweeps Vacuum & Repair Center, Inc., 705 Warren Street, 12534, (518) 828-5457
PEEKSKILL - Clark Appliance & Vacuum Service Corp., 950 Main Street, 10566, (914) 737-1368, (800) 765-0649
POUGHKEEPSIE - S & S Appliance Sales & Service, 390 Violet Avenue, 12601, (914) 452-6122
QUEENSBURY - Greene's Service, 681 Upper Glen Street, 12804, (518) 792-1101
RICHMOND HILL - Lockdoctor Locksmiths, 104-37 Atlantic Ave., 11418 (718) 441-6242
ROCHESTER - Benfante Appliance Service, 1286 Mt. Hope Avenue, 14620, (716) 473-8765

SCHENECTADY - Greene's Service, 1877 State Street, 12304, (518) 370-5021

SEA CLIFF, L.I. - Shabra Electronics, 400 Glen Cove Avenue, 11579, (516) 671-2218

STATEN ISLAND - Sprngstead Lumber 6232, 4255 Amboy Road, 10308, (718) 984-0300

SYRACUSE - County Wide Appliance, 1001 N. State Street, 13208, (315) 479-5253, (800) 333-3243

TUCKAHOE - Authorized Appliance of Westchester, 26 Columbus Ave., 10707, (914) 961-8011

UTICA - Oneida Bicycle & Sports Center, 2107 Whitesboro St., 13502, (315) 724-6084

WARWICK - Wadeson Home Center, 60 Forester Avenue, 10990, (914) 986-2215, (800) 982-2215 (NY only)

W. HEMPSTEAD L.I. - Turnpike Appliance Service, 86 Hempstead Turnpike, 11552, (516) 486-5700, (800) 628-3911

NORTH CAROLINA

ASHEVILLE - Skyland Hardware, 3179 Sweeten Creek Road, 28803, (704) 684-0308

CHARLOTTE - Authorized Appliance Servicenter, 1020 Tuckaseegee Road, 28208, (704) 377-4501, (800) 532-6127

CLINTON - Danny's Service Center, 119 Vance Street, 28328, (910) 592-3200

ELIZABETH CITY - Coastal Office Equipment Co., 501 East Church Street, 27909, (919) 335-2927

GREENSBORO - Greensboro Shaver & Appliance, 414 North Eugene Street, 27401, (910) 273-1065, (800) 200-4855

HICKORY - First Flight Bicycles, 2435 N. Center Street, 28601, (704) 324-9350

RALEIGH - Authorized Appliance Service Center, 800 North Person Street, 27604, (919) 834-3476

STATESVILLE - First Flight Bicycles, 216 S. Center St., 28677, (704) 878-9683

WILMINGTON - D.C. Electric Co., 102 Eastwood Road, Ste. D-9, 28403, (910) 392-5784, (800) 280-5784

WINSTON-SALEM - Authorized Appliance Servicenter, 904 South Marshall Street, 27117, (910) 725-5396

NORTH DAKOTA

FARGO - General Parts & Supply Co., 10 S. 18th Street, 58103, (701) 235-4161, (800) 279-9987

OHIO

AKRON - Advanced Appliance Service Company, 73 W. Exchange Street, 44308, (216) 762-8968

CANTON - Appliance Parts Co., 1267 Dueber Avenue, SW, 44706, (216) 453-8077

CINCINNATI - H&S Service, 458 Cincinnati Batavia Pike, 45244, (513) 528-0808 (800) 344-4210

CINCINNATI (CHEVIOT) - Brand Service Center, 3806 North Bend Road, 45211, (513) 661-1615

CINCINNATI (SILVERTON) - Brand Service Center, Inc., 6944 Plainfield Road, 45236, (513) 793-1170

CLEVELAND - Majors Appliance, 5845 Turney Road, 44125, (216) 663-4650

CLEVELAND (MENTOR) - Lake Erie Lawn & Garden, 7833 Munson Rd., 44060, (216) 257-9000

CLEVELAND (PARMA) - Majors Appliance, 5785 Ridge Road, 44129, (216) 884-7200

CLEVELAND (WESTLAKE) - Philips Consumer Electronics, 24090 Detroit Avenue, 44145, (216) 899-2040, (800) 331-7037

COLUMBUS - Philips Consumer Electronics, 6333 Busch Blvd., 43229, (614) 781-2605

DAYTON - Layer Electric, 603 South Ludlow Street, 45402, (513) 224-9608

DAYTON (NEW CARLISLE) - Hess Hardware Do-It Center, 3300 South Dayton Lakeview Rd., 45344, (513) 849-1306, (800) 786-1308

LIMA - Crouse Lumber Do-It Center, 333 E. Market Street, 45801, (419) 229-9070, (800) 826-9663

NEW BOSTON - True Value Toy Town, Rt. 52 & 139, 45662, (614) 456-5704

STRYKER - Short's Hardware, 115 N. Depot Street, 43557, (419) 682-4231

TOLEDO - Broadway Sales and Appliance Repair, 1621 Broadway, 43609, (419) 241-9731, (800) 436-5415

YOUNGSTOWN - O'Connor's, 3224 Market Street, 44507, (216) 782-4705

Authorized Service Centers

OKLAHOMA

OKLAHOMA CITY - Brand Service Center, 538 N. Pennsylvania Avenue, 73107, (405) 235-0583
TULSA - H.L. Moss, Inc., 1714 E. 15th Street, 74104, (918) 744-1305, (800) 248-5948

OREGON

PORTLAND - Oregon Appliance 2137 East Burnside Street, 97214, (503) 235-6681,

PENNSYLVANIA

ALTOONA - Frye's Sweeper & Sewing Center, Inc., 1400 Valley View Boulevard, 16602, (814) 943-5001, (800) 640-1308
HARRISBURG - C.A. Juillard, Inc., 2301 North Seventh Street, 17110, (717) 233-3488, (800) 633-3488
JOHNSTOWN - Cambria True Value Hardware, West Hills Square, Goucher Street, 15905, (814) 255-4752
KINGSTON - Vac-Way Appliance & Service, 595 Market Street, 18704, (717) 288-4508
MOSCOW - Vac-Way Appliance & Service, RR #6 Box 6237, 18444, (717) 842-4668
MOSCOW - Vac-Way Appliance & Service, RR #6 Box 6237, 18444, (717) 842-4668
ORANGEVILLE - Hess Do-It Center & Market, Route 487, Box 4 M, 17859, (717) 683-5162
PHILADELPHIA - Appliance Care/Service Corp., 6407 Rising Sun Ave., 19111, (215) 725-3112
PHILADELPHIA (COLLINGDALE) - J.F. Kenney Electric, 920 MacDade Boulevard, 19023, (610) 534-7373
PITTSBURGH - Ferry Electric Service Co., 7498 McKnight Road, 15237, (412) 364-3403
PITTSBURGH - Ferry Electric Service Co., 140 Clairton Blvd., 15236, (412) 653-6004
READING - Electric Repair Co., 502-504 North 9th Street, 19604, (610) 376-5444, (800) 422-8171 (PA only)
SCRANTON - Vac-Way Appliance and Service, 601 Cedar Avenue, 18505, (717) 343-1121
SHAMOKIN DAM - Willard Battery Outlet, 138 S. Old Trail, 17876, (717) 743-5383
TROY - Hoover hardware, 9 Canton, 16947, (800) 251-2156, (717) 297-3445
WASHINGTON - Murphy Family Inc., 585 East National Pike, 15301, (412) 225-0324
WILKES-BARRE - Walter Hardware DO-IT Center, 57 N. Welles Street, 18702, (717) 823-1406
YORK - Parcel Plus, 2549 E. Market Street, York Market Place, 17402, (717) 757-1875

PUERTO RICO

HATILLO - Tropical Parts Service, P.O. Box 1335, Road 130 KM 8.5, 00659, (809) 898-6474
MAYAGUEZ - Cardona Appliance Service, 8 San Vicente St., 00680, (809) 832-8366
MAYAGUEZ - Melendez Home Appliance Repair, Calle Post 319 Sur, 00680, (809) 832-5225
PONCE - Ferreteria Vivian, Centro Comercial, Los Caobos #7, 00731, (809) 840-0677
PUERTO NUEVO - Buckeye Service, 1013 Jesus T. Pinero Avenue, 00920, (809) 782-6175

RHODE ISLAND

PROVIDENCE - Marshall Electric Co., 200 Broad Street, 02903, (401) 331-4482

SOUTH CAROLINA

CHARLESTON HEIGHTS - Dorchester Electric Service, 3575 Dorchester Avenue, 29405, (803) 747-5221
COLUMBIA - Authorized Appliance Servicenter, 1811 Taylor Street, 29202, (803) 254-8414
FLORENCE - The Hobby Center of Florence, 919-C South Cashua, 29501, (803) 664-9226
GREENWOOD - Bikes & Boards & Mopeds, 203A Montague Avenue, 29646, (803) 229-2453
SPARTANBURG - Boiling Springs Hardware, 3124 Boiling Springs Rd, 29303, (803) 578-1852
VARNVILLE - P&S Small Engine & Variety Shop, 105 Carolina Avenue, West, 29944, (803) 943-9141

TENNESSEE

CHATTANOOGA - Light Electric Co., 732 East 11th Street, 37403, (615) 267-9224
KNOXVILLE - Authorized Appliance Service Center, 1206 North Central Street, 37917, (615) 524-3376
KNOXVILLE - Philips Consumer Electronics, 6700 D Papermill Road, Papermill Plaza, 37919, (615) 584-6614, (800) 821-1767
MEMPHIS - Camp Electric Co., 647 Madison Avenue, 38103, (901) 527-7543, (800) 238-7345
NASHVILLE - Webb's Appliance Service Center, Inc., 1519 Church Street, 37203, (615) 329-4079, (800) 899-4079

TEXAS

ABILENE - Metro Small Appliance Service Co., 141 S. Clyde, 79605, (915) 672-1853
AMARILLO - Reid's Appliance Service, Inc., 906 Georgia, 79102, (806) 373-8812
ANTHONY - Villarreal & Sons Elec., 512 S. Third Street, 79821, (915) 886-3362
AUSTIN - Harrell Supply and Service, Inc., 5435 Burnet Road, 78756, (512) 451-6464, (800) 332-7250 (TX only)
AUSTIN - Harrell Supply and Service, Inc., 1409 West Oltorf, 78704, (512) 442-5966
AUSTIN (ROUND ROCK) - Harrell Supply, 907c Interstate Highway 35, 78664, (512) 388-0866
CORPUS CHRISTI - Brand Service Center, 2751 S. Staples Street, 78404, (512) 854-1851
DALLAS - Pearsol Appliance Co., 3127 Main Street, 75226, (214) 939-0930
DALLAS - All Type Sales and Service Co., Inc., 2835 Irving Blvd., 75207, (214) 638-1170, (800) 717-1170
DALLAS (GARLAND) - Pearsol Appliance Co., 2406 South Jupiter Road, 75041, (214) 840-0622, (800) 527-7385
FT. WORTH - Ft. Worth Shaver and Appliance Center, 1012 West 7th Street, 76102, (817) 335-9970
HOUSTON - Brand Service Center, 5727 Richmond Avenue, 77057, (713) 782-8910, (800) 705-2929
HOUSTON - Brand Service Center, 1970 FM 1960, 77090, (713) 537-7795
LAREDO - Rubio Electric, 1719 San Bernardo, 78040, (210) 722-3908
LONGVIEW - Toys and Things, 918 NW Loop 281, 75604, (903) 759-3939
LUBBOCK - Minter's, 4409 50th Street, 79414, (806) 799-3170
LUFKIN - STS Audio and Video, 1505 South First Street, 75901, (409) 639-4529
MC ALLEN - All-in-One Repair Shop, 2313 Lark Avenue, 78504, (210) 682-8858
MIDLAND - Midland Tool Specialty, 918 South Main, 79701, (915) 682-4647, (800) 499-0755
PASADENA - Larry's TV Service, 3520 Fairmont Parkway, 77504, (713) 998-0122, (800) 244-0291
ROMA - True Value Hardware, 1004 E. Highway 83, (210) 849-1322
SAN ANTONIO - Brand Service Center, 7065 San Pedro Avenue, 78216, (210) 344-8577
SEYMOUR - Western Auto, 211 N. Main Street, 76308, (817) 888-3980
TEMPLE - Master Tech Repairs, 2819 West Avenue North, 76504, (817) 773-8991
WICHITA FALLS - Burke's Appliance Service, 2410 10th Street, 76309, (817) 723-6211

UTAH

OREM - The Mending Shed, 1735 South State Street, 84058, (801) 225-8012, (800) 339-9297
SALT LAKE CITY - Appliance Service Center, Inc., 210 East 6th South, 84111, (801) 328-9703

VERMONT

RUTLAND - Appliance Service Center Ltd., 152 Woodstock Avenue, 05701, (802) 773-8917

VIRGINIA

HARRISONBURG (PENN LAIRD) - J.L. Maintenance & Repair, Inc., Route 1, Box 183, 22846, (703) 289-9844, (800) 296-9844
NEWPORT NEWS - Commonwealth Electric Shaver Sales & Service, Inc., 10105 Jefferson Ave., 23605, (804) 595-6712
NORFOLK - Commonwealth Electric Shaver Sales & Service, Inc., 6612 E. Virginia Beach Blvd., 23502, (804) 461-4475
ROANOKE - Commonwealth Shaver & Appliance Service, 5524 Williamson Road, NW, 24012, (703) 366-6038
VIENNA - Appliance Fix-It, 8455 Tyco Road, 22182, (703) 893-1234
WINCHESTER - Battery Mart of Winchester, Inc., 1 Battery Dr., 22501, (703) 655-0065
WOODBIDGE - Baker's Appliance, 13314 Occoquan Road, 22191, (703) 690-3214

WASHINGTON

SEATTLE - Ajax Electric, 2911 First Avenue South, 98134, (206) 622-9945
SEATTLE (BELLEVUE) - Action Small Appliance Service, 1500 145th Place, SE, 98007, (206) 643-9806
SPOKANE - SPARCO, West 45 2nd Avenue, 99204, (509) 624-8965
SPOKANE - SPARCO, N. 1119 Pines Rd., 99206, (509) 922-9666

WEST VIRGINIA

BECKLEY - Jerry's Detectors, Vacuum & Appl. Svc., 411 Second Street, 25801, (304) 253-3521
CHARLESTON - Sneed's Vacuum & Sewing Center, 2614 7th Avenue, 25312, (304) 744-3670, (800) 245-8048 (WV only)
HARRISVILLE - Western Auto, 1107 E. Main St., 26362, (304) 643-2226
HUNTINGTON - Mike's Appliance and Service, 212 20th Street, 25703, (304) 522-0737, (800) 244-9152
MARTINSBURG - Battery Mart, 1161-3 Winchester Avenue, 25401, (304) 267-7033, (800) 464-7918
WHEELING - Fast Service Center, 1058 Main Street, 26003, (304) 232-5561 (800) 874-4090

WISCONSIN

APPLETON - G/Tech Electric Tool & Housewares Service, 600 W. College Ave., 54911, (414) 739-6064, (800) 400-6064
LACROSSE - Paul's Shaver Service, 1224 Caledonia Street, 54603, (608) 782-6291
MADISON (MONONA) - Kiefer's Shaver and Appliance, 4511 Monona Drive, 53716, (608) 221-3322
MAUMETTE - Della Do-It Center, W 1536 Highway 41, 54143, (715) 732-1768
MILWAUKEE - Brand Service Center, 3707 North 92nd Street, 53222, (414) 461-0440
MILWAUKEE - Brand Service Center, 6000 W. Oklahoma Street, 53219, (414) 541-4340



Jeep® Wrangler

FOR MODEL 74440

Questions? Please call Consumer Affairs toll-free at 1-800-348-0751.

JEEP, the Jeep grille design, and Wrangler are registered trademarks of CHRYSLER CORPORATION U.S.A. used under license.
©CHRYSLER CORPORATION 1995.

Goodyear (and winged foot design) and Wrangler (for tires) are trademarks of
The Goodyear Tire & Rubber Company, used with permission.

©1995 Fisher-Price, Inc., East Aurora, New York 14052 - All Rights Reserved

U.S. Patents 4,555,451; 4,558, 263; RE.33,769; 5,051,550, D299,666; and U.S. Patents Pending